

panic hardware

alpro®

*Commitment to
Excellence*

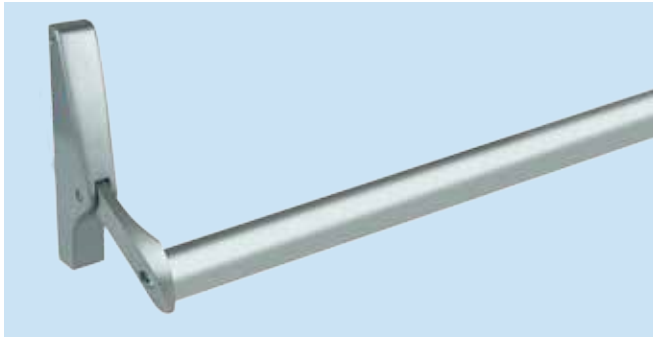


*Commitment to
Excellence*

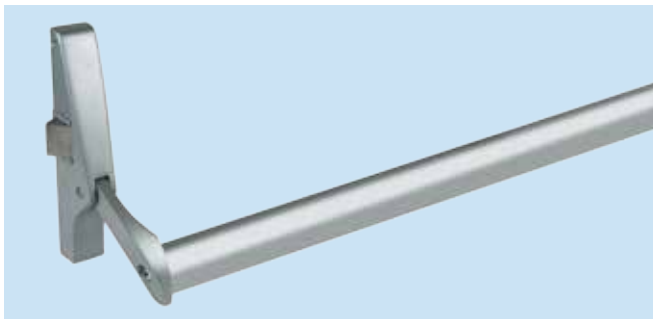
Panic Hardware

Introduction & Contents

ALP1000 Crossbar Series



Concealed Vertical Rod Exit Device & Outside Lever Handle - Page 3



Narrow Style Rim Exit Device - Page 4

Surface, concealed, rim and latch models are available, but care should be taken when selecting the correct panic hardware, depending on the application required. If you are unsure of the requirement please contact us for further advice.

A complete range of surface finishes, along with various inbuilt functions is available with panic hardware, such as the ability to "lock off" the panic hardware during the day to allow free and easy operation of the door.

The ALP1000 Crossbar Series is designed for use with narrow stile commercial aluminium doors. The crossbar is designed with simplicity in mind, yet will provide years of smooth, reliable operation.

The ALP600 Touch Bar Series provides a high quality option which combines sleek architectural styling with superb performance characteristics.

Panic hardware is a vital and important product in the design and installation of exit doors. Designed to allow the safe and speedy exit of personnel down an escape route in the event of a major emergency.

It has been designed to enable the simplest touch of the touch bar or crash bar to operate the door and thereby allow people to escape.

New European standards now govern the manufacture and installation of this equipment, as these devices are "Life safety" devices and it is therefore crucial, they are produced in line with the requisite standards and quality requirements.

Panic hardware comes in various designs and mounting configurations and has the facility to allow authorised entry back into the building via an entry trim.

ALP600 Touch Bar Series



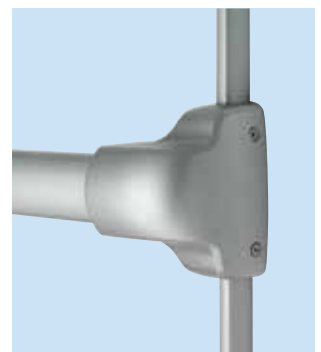
Outside Access Device with Lever - Page 6



Touch Bar Panic Latch - Single Point - Page 7



Touch Bar Panic Latch - Two Point - Page 8



Touch Bar Panic Latch - Three Point - Page 9

Concealed Vertical Rod Exit Device

ALP1085



Designed for use with narrow stile commercial aluminium doors. The concealed rod model adds to the security of the door. The crossbar is designed with simplicity in mind, yet will provide years of smooth, reliable operation.

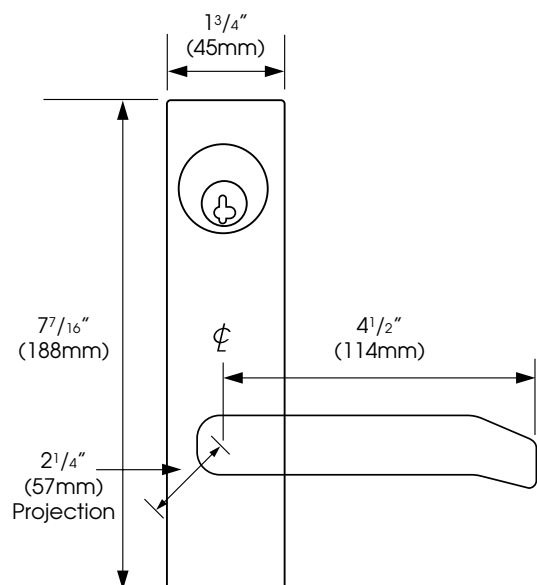
Made of high tensile strength aluminum. Non-handed, and a crossbar that is easily adjustable in the field. Also includes the concealed vertical rods, screws and strikes.



The ALP1085 comes with the following features

- CE tested to European Standard
- Non-handed
- Easy installation
- Concealed fastening for added security
- Uses standard mortice cylinder with maximum security
- Independent top and bottom bolt action - 13 mm bolt throw
- Trigger action, positive bolt release
- Adjustable bolt guides allow bolt adjustment with door installed
- Foam rubber silencers to quiet rod operation
- Contoured crossbar
- Heavy duty construction
- Wear points insulated by Nylon sleeves and rollers
- Dual dogging feature

Outside lever handle



Code	Description
ALP1085	Crossbar with concealed vertical rods
ALP8500LV+KA	Outside access lever handle with round cylinder keyed alike
ALP8500LV+KD	Outside access lever handle with round cylinder keyed to differ
Finish	Aluminium

Rim Mounted Exit Device

ALP1095



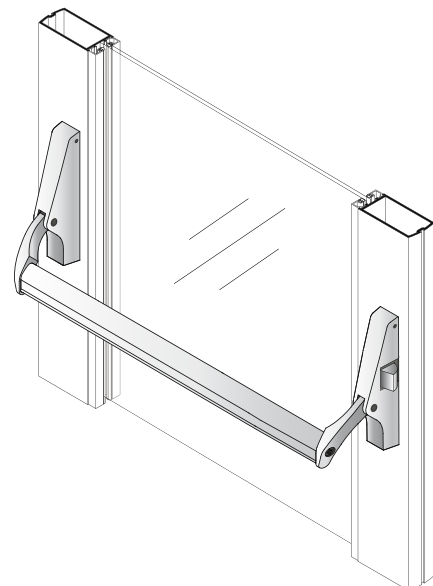
Designed for use with narrow stile commercial aluminium doors. The rim version is fitted with the same field sizeable crossbar as the ALP1085 model, enabling adjustments to be made to suit the overall width of door installation. These units are the perfect solution to the ever growing need for safety.



The ALP1095 comes with the following features

- CE tested to European Standard
- Easy installation
- Concealed fastening for added security
- Uses standard mortice cylinder with maximum security
- Contoured crossbar
- Dual operating functions
- Heavy duty construction
- Wear points insulated by nylon sleeves and rollers
- Dual dogging feature
- C Type strike plate included

Handed - LHR in stock - RHR subject to special order



Code	Description
ALP1095	Crossbar rim latch series
Finish	Satin Aluminium

Technical Data

- A.1** The producer shall specify the appropriate fixing arrangement for the door types for which the exit device is designed.
- A.2** Before fitting an exit device to a door, the door should be checked to ensure correct hanging and freedom from blinding. It is not recommended, for example, that exit devices be fitted to hollow core doors unless specially designed by the producer for this type of door. It is recommended to verify that the door construction allows the use of the device, i.e. to verify that offset hinges and engaging leaves allow both leaves to be opened simultaneously (See A4), or to verify that the gap between door leaves does not differ from that defined by the exit device producer, or to verify that the opening elements do not interfere, etc.
- A.3** Before fitting an panic exit device to a fire/smoke resisting door, the fire certification of the fire door assembly on which the exit device has been tested to prove suitability for use on a fire door should be examined. It is of utmost importance that an exit device is not used on a fire door assembly of a greater fire resistance time than approved for.
- A.4** Care should be taken to ensure that any seals or weather-stripping fitted to the complete door assembly, do not inhibit the correct operation of the panic exit device.
- A.5** On double doorsets with rebated meeting stiles and where both leaves are fitted with panic exit devices, it is essential to check that either leaf will open when its panic exit device is activated and also that both eaves will open freely when both panic exit devices are operated simultaneously.
- A.6** Where panic exit devices are manufactured in more than one size, it is important that the correct size is selected.
- A.7** Category 2 (Standard projection) panic exit devices should be used in situations where there is restricted width for escape, or where the doors to be fitted with the panic exit devices are not able to open beyond 90°.
- A.8** Where a panic exit device is designed to be fitted to a glazed door, it is essential that the glazing is tempered or laminated glass.
- A.9** Different fixing can be necessary for fitting panic exit devices to wood, metal or frameless glass doors. For more secure fixing, male and female through-door bolts, reinforcement and rivets can be used.
- A.10** Panic exit devices are not intended for use on double action (double swing) doors unless specifically designed by the exit device producer.
- A.11** The fixing instructions should be carefully followed during installation. These instructions and any maintenance instructions should be passed on by the installer to the user.
- A.12** The horizontal bar should normally be installed at a height of between 900 mm and 1100 mm from the finished floor level, when the door is in the secured position. Where it is known that the majority of the users of the premises will be young children, consideration should be given to reducing the height of the operating bar.
- A.13** The horizontal bar should be installed so as to provide the maximum effective length.
- A.14** The bolt heads and keepers should be fitted to provide secure engagement. Care should be taken to ensure that no projection of the bolt heads, when in the withdrawn position, can prevent the door swinging freely.
- A.15** Where panic exit devices are to be fitted to double door sets with rebated meeting stiles and self closing devices, a door coordinator device in accordance with EN 1158 should be fitted to ensure the correct closing sequence of the doors. This recommendation is particularly important with regard to smoke/fire-resisting door assemblies.
- A.16** No devices for securing the door in the closed position should be fitted other than specified in this European Standard. This does not preclude the installation of self-closing devices.
- A.17** If a door closing device is to be used to return the door to the closed position, care should be taken not to impair the use of the doorway by the young, elderly and infirm.
- A.18** Any keepers or protection plates provided should be fitted in order to ensure compliance with this European Standard.
- A.19** A sign which reads "Push Bar to open" or a pictogram should be provided on the inside face of the door immediately above the horizontal bar, or on the bar if it has a sufficient flat face to take the size of lettering required. The surface area of the pictogram should be not less than 8000 mm² and its colours should be white on a green background. It should be designed such that the arrow points to the operating element, when installed.

Maintenance Instructions

- A)** Inspect and operate the emergency exit device to ensure that all components are in a satisfactory working condition. Using a force gauge, measure and record the operating forces to release the exit device.
- B)** Ensure the keeper(s) is (are) free from obstruction.
- C)** Check that the emergency exit device is lubricated in accordance with the producer's instructions.
- D)** Check that no additional locking devices have been added to the door since its original installation.
- E)** Check periodically that all components of the system are still correct in accordance with the list of approved components originally supplied with the system.
- F)** Check periodically that the operating element is correctly tightened and, using a force gauge, measure the operating forces to release the exit device. Check that the operating forces have not changed significantly from the operating forces recorded when originally installed.

Outside Access Device with Lever

ALP600



The Alpro Touch Bar Series of panic exit hardware provides a high quality option which combines sleek architectural styling with superb performance characteristics.

The main feature of the design is the tactile aluminium touch bar which is not only visually attractive but is comfortable to grip, enabling the unit to be used to close the door and is easy to cut on-site during installation.

The Series is available in single, double or triple

latching point variations for single or double door combinations and can be used with or without external access device.

The Alpro Touch Bar Series is not just attractive in appearance but has undertaken 1.5 million test cycles (over 7.5 times the highest requirement of the standard) offering exceptional levels of durability and functionality.

Tested by independent test house to EN1125:2008 Panic Exit Hardware, and CE marked for safety.

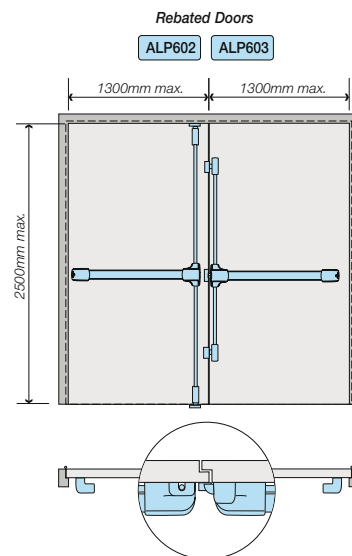
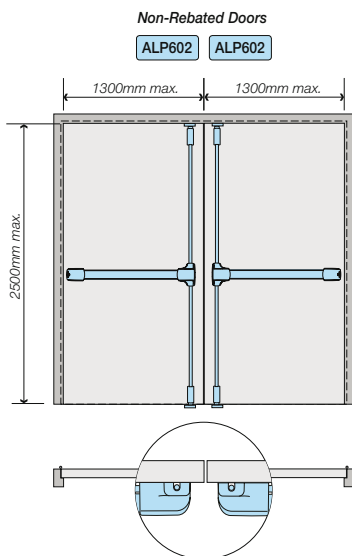
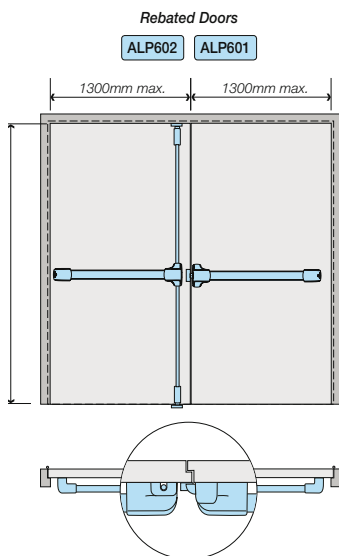
Lever operated external access unit with euro profile cylinder locking

- Designed to fully comply with EN1125 for Panic Exit applications
- Suitable for use with all single and multiple point Touch Bar panic exit hardware
- Bolt through into the outside unit from the internal mounting plate of the panic device
- Key retention feature ensures OAD is always secure
- Available with or without cylinder (40mm single cylinder)
- Available in silver finish
- Maximum door thickness 65mm



Code	Description
AL600/LEC/SE	Outside access device with lever

Double Door Configurations (rebated or non-rebated)

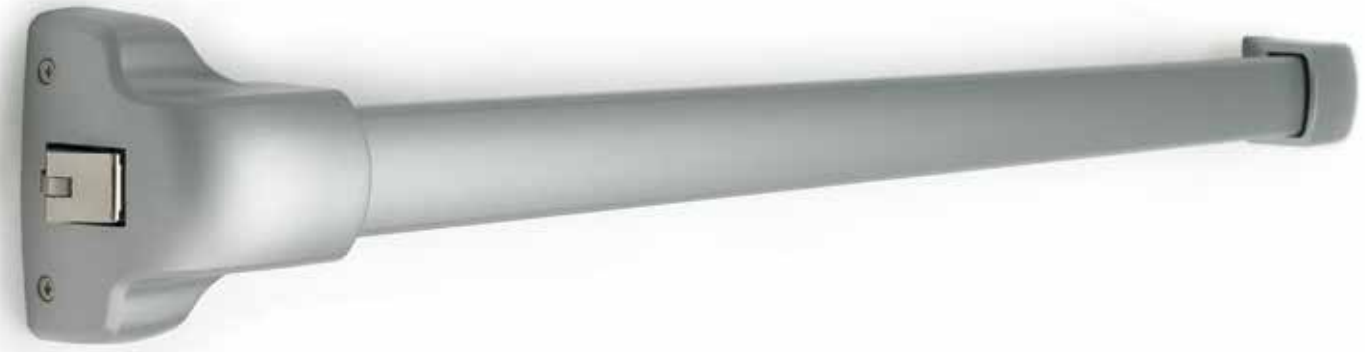


Touch Bar Panic Latch - Single Point Latching

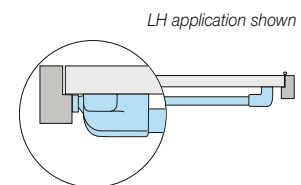
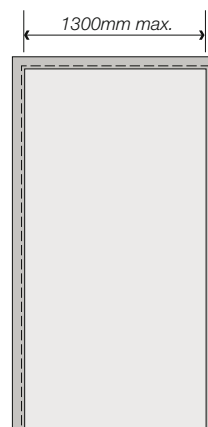
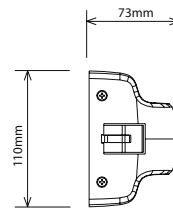
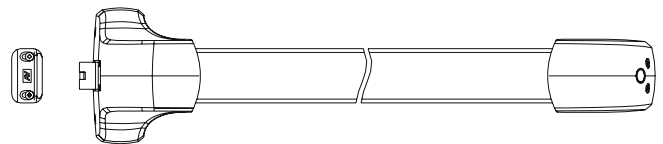
ALP601



Touch bar single point panic latch with the following features:



- Non handed, suitable without alteration for left or right hand applications
- Can be cut down on site. Suitable for door widths 800mm to 1240mm
- Additional length bar can be supplied for doors up to 1540mm wide
- Narrow stile suitable for uPVC doors and glass panelled doors
- Single latch and anti-thrust protection
- Universal keep suitable for timber or aluminium single doors or double door combinations
- Suitable for single doors or the active leaf of a rebated double door
- Optional hold-back available enabling the door to be put into free access
- Optional Microswitch concealed in tail end of the unit to integrate with an access control system
- 240 hour salt spray corrosion resistance on all finishes



Code	Description	EN1125 Classification Code
ALP601/M/SE	Single point latching	37601422AA
ALP601M/SE-M	With microswitch	
ALP601M/SE-HB	With holdback	

Finish

SE Powder coated silver (as standard)

Touch Bar Panic Latch - Two Point Latching

ALP602



Touch bar activated two point panic bolt with the following features:

- Fire rated to EN1634-1
- Can be cut down on site. Suitable for door widths 800mm - 1240mm wide and up to 2450mm high
- Vertical shoot bolts with aluminium covers can be cut down on-site
- Top and bottom Pullman latches are adjustable for perfect alignment and smooth activation and built in anti-thrust protection
- Non handed, suitable for left or right hand applications
- Suitable for single doors or the active leaf of a rebated double door
- Supplied with easy clean keep for bottom Pullman and surface keep for top Pullman to suit timber and aluminium doors
- Additional length bar can be supplied for doors up to 1540mm wide
- Optional hold-back available enabling the door to be put into free access
- Optional Microswitch concealed in tail end of the unit to integrate with an access control system
- 240 hour salt spray corrosion resistance on all finishes



Top Pullman Latch



Bottom Pullman Latch

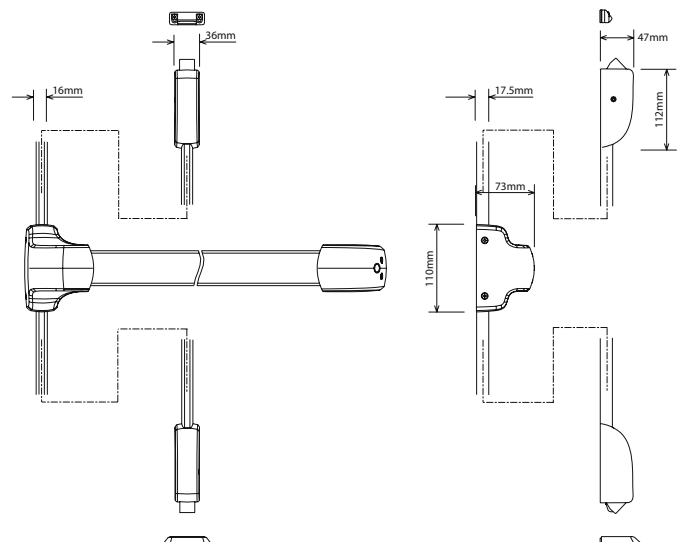
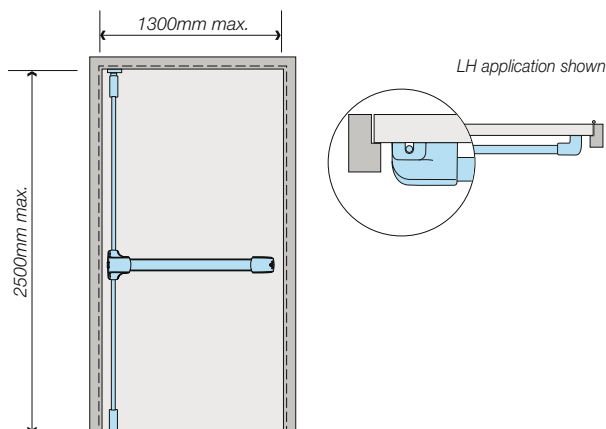


Code	Description	EN1125 Classification Code
------	-------------	----------------------------

ALP602/VM/SE	Two point latching	376B1422AA
ALP602VM/SE-M	With microswitch	
ALP602VM/SE-HB	With holdback	

Finish

SE Powder coated silver (as standard)



Touch Bar Panic Latch - Three Point Latching

ALP603



Touch bar activated three point panic bolt with the following features:

- Fire rated to EN1634-1
- Can be cut down on site. Suitable for door widths 800mm - 1240mm wide and up to 2450mm high
- Vertical shoot bolts with aluminium covers can be cut down on-site
- Side Pullman latches top and bottom with adjustable keep for perfect alignment
- Non handed, suitable for left or right hand applications
- Suitable for single doors or the active leaf of a rebated double door
- Universal keep for timber and aluminium frames
- Additional length bar can be supplied for doors up to 1540mm wide
- Optional hold-back available enabling the door to be put into free access
- Optional Microswitch concealed in the tail end of the unit to integrate with an access control system
- 240 hour salt spray corrosion resistance on all finishes



Upper side Pullman latch (shown on double door application)



Lower side Pullman latch (shown on double door application)

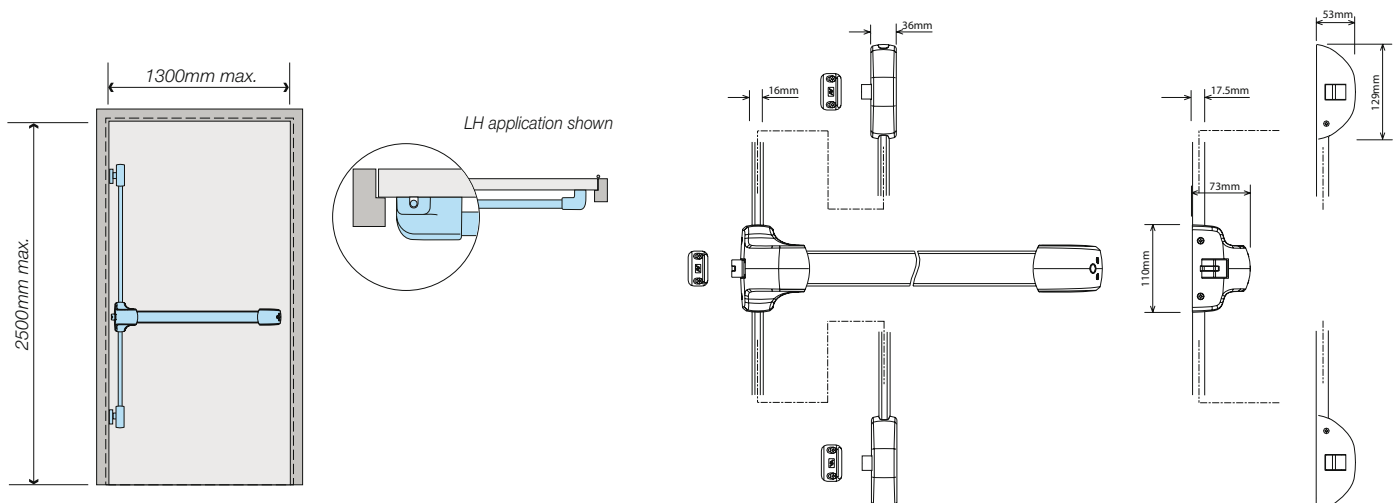


Code	Description	EN1125 Classification Code
------	-------------	----------------------------

ALP603/HM/SE	Three point latching	376B1422AA
ALP603HM/SE-M	With microswitch	
ALP603HM/SE-HB	With holdback	

Finish

SE Powder coated silver (as standard)



Touch Bar Panic Latch Series

Technical Data

Guarantee

To support the high quality engineering, durability and quality performance of the Alpro Panic & Emergency Exit Hardware we provide a 3 year guarantee against defects due to faulty manufacturing, workmanship or defective materials.

Alpro agrees to replace any defective Alpro product free of charge provided the product has been fitted and maintained in accordance with the fitting instructions.

Fixing/Installation - Touch Bar

The Alpro Touch Bar hardware uses a series of mounting backplates for the end mechanisms and Pullman latches which are fixed to the surface of the door. The end mechanisms of the Touch Bar unit and Pullman latches are then mounted onto the backplates. A series of spacers are provided to take up any inaccuracies in the door. The Touch Bar is aluminium and can be easily cut on-site to suit the door width, with the ends being fully concealed by the end covers.

Similarly, the vertical rods of the double and triple point latching units and the rod covers can be readily cut on-site to suit the door height with the cut ends of the covers being concealed inside the cast covers of the mechanism and Pullman latches. The latch bolts are adjustable to assist in achieving accurate alignment to ensure a smooth operation of the exit device and a positive fit of the door within the frame.

Fixing/Installation - Push Bar

The hardware is surface mounted and supplied with full fixing instructions. To comply with the standards and guarantee, the push bars and shoot bolts which are supplied loose and must be cut down on-site to suit the door width and/or height. The top and bottom shoots (where applicable) allow for $\pm 5\text{mm}$ of vertical adjustment. The cut ends of the push bar are concealed within the end boxes. Shoot bolt ends must be carefully cut on-site as the ends are visible.

The Alpro range is supplied with all the necessary fixings for timber doors and allows for either self tapping or machine screws to be used on other door types.

Construction - Touch Bar

The Touch Bar is extruded elliptical section aluminium. Aluminium vertical rods are concealed beneath aluminium covers. All box mechanisms, slave units and Pullman latch mechanisms are manufactured in galvanised steel with nickel plated latchbolts and painted cast Zamak cover casings. Outside access devices are cast Zamak and galvanised steel with die cast aluminium handle.

Construction - Push Bar

The main body and slave unit is manufactured from die cast aluminium with extruded aluminium guides. The top and bottom shoots, the shoot ends and internal components are steel. The latchbolt is stainless steel.

Fire Rating

The Alpro range of panic and emergency exit devices is approved for use on timber and steel doors to EN1634-1:2000. However, it is important to recognise that the hardware is required for the initial part of a fire test until the door has become sealed into the frame. The fire door is then responsible for sealing off the area and therefore it is the door which will give the fire rating.

Standard Sizes

Standard size units are tested on doors up to 2500mm high and 1300mm wide. The shoot bolts and the push bar can be cut down on-site to suit the door height and/or width. To comply with EN1125, the touch/push bar should be installed at a height between 900mm and 1100mm from finished floor level and the bar length must be at least 60% of the door opening width. When fitted at 1100mm the maximum door height is 2530mm on the standard range and 2750mm on the Touch bar range.

Handing Details

Touchbar Exit Devices

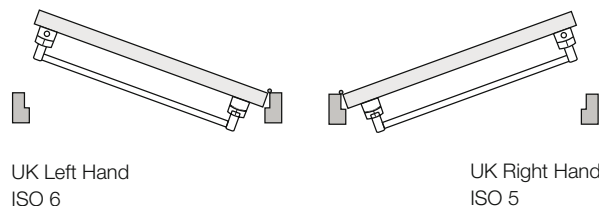
All Alpro Touch Bar exit hardware is non handed and is suitable without alteration for left or right hand applications.

Push Bar

Alpro Push Bar and Push Pad latches can be reversed on-site to suit left or right hand application. Vertical bolts are non handed.

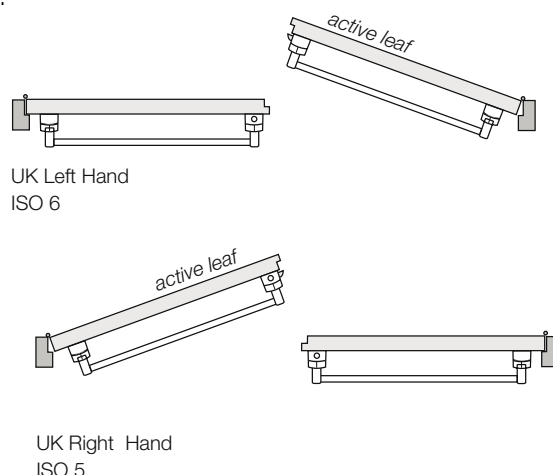
Single Doors

The handing is defined by viewing the door from the pull side, as below. A door with hinges to the left viewed from the pull side is classified as a Left Hand door.



Double Doors

The handing is defined by the first opening leaf (or active leaf). Using the same criteria as for a single door, if the hinges of the first opening leaf are to the left it is a Left Hand door.



Hold-Back Facility

The Touch Bar range, push bar panic exit and push pad emergency exit devices are available with a hold-back feature incorporated into the mechanism unit which allows the bolts or latch to be held in the withdrawn position. This feature must not be specified on exit doors which are designated as fire doors unless the door has been fire rated in the unlatched condition.

Panic & Emergency Exit Hardware

Summary

		ALP601	ALP602	ALP603
CERTIFICATION	See Page No.	3	4	5
	BS EN1125:2008	■	■	■
	BS EN179:2008			
	CE Marked	■	■	■
FIRE RATING	Timber Door - Single, Rebated & Non-Rebated Double Fitted with OAD		1 hour	1 hour
	Timber Door - Single, Rebated & Non-Rebated Double Fitted without OAD		1 hour	1 hour
	Timber or Steel Door - Single & Non-Rebated Double Fitted with outside cylinder			
	Timber or Steel Door - Single & Non-Rebated Double Fitted without outside cylinder			
	Steel Door - Single, Rebated & Non-Rebated Double Fitted with OAD		TBC	TBC
	Steel Door - Single & Non-Rebated Double Fitted without OAD		1 hour	1 hour
	Push Pad Operator			
	Push Bar Operator			
OPERATION	Touch Bar Operator	■	■	■
	Single Point Latching	■		
	Multi Point Latching		■	■
LATCHING	Pullman Latching		■	■
	Single Door Applications	■	■	■
	Non-Rebated Double Door Applications		■	
DOOR TYPE	Rebated Double Door - 1st Opening Leaf (active)	■		■
	Rebated Double Door - 2nd Opening Leaf (inactive)		■	
	Outside Access Device with Lever	■	■	■
	Outside Access with Knob	■	■	■
OUTSIDE ACCESS	Outside Access by Mechanical Digital Lock	■		
	Outside Access by Euro Profile Cylinder			
		ALP601	ALP602	ALP603

Our difference...



We are a family owned company founded in 1938 to supply quality mechanical components. Today we serve a broad band of industry with a wide range of quality products.

These are manufactured by companies of international repute who are each specialists in their own field.

We are approved to BS EN ISO 9001:2008.

We aim to provide the best in both products and service

- Experienced informative staff give fast, effective and friendly service.
- Technical support nationwide.
- Competitive and cost effective solutions.
- CAD design facility.
- Large stocks - same day despatch - Kanban and JIT deliveries.
- Modern technology combined with people.
- Listen, communicate - no surprises!
- Think long term - everlasting customers.



alpro[®]... *the team that cares*

Integrity • Expertise • Commitment

IEC Limited, Harwell Road, Nuffield Estate, Poole, Dorset BH17 0BD Great Britain

Registered in England 1925537

8/2017



T 01202 676262
F 01202 680101
E info@alpro.co.uk
W www.alpro.co.uk