

door hardware

alpro®

*Commitment to
Excellence*



20th ANNIVERSARY • 2013 • 20th ANNIVERSARY • 2013 • 20th ANNIVERSARY • 2013
20
YEARS
Serving the Industry

*Commitment to
Excellence*



**Europrofile
Deadlocks - P3**



**Round Mortise Cylinder
Deadlocks - P4 - 5**



**Europrofile
Deadlatches - P6**



**Round Mortise
Deadlatches - P7**



**Lever & Paddle
Handles - P8**



**Lock Accessories -
P9 - P10**



Flush Bolts - P10



Magnets - P11



**Concealed Overhead
Door Closers - P12 - P13**



**Digital Locks -
P14 - 15**



**Compact Shearlock
Magnet - P16**



**Access Control -
P17 - P18**

Features

- Range of backsets available
- Faceplate finish SAA
- Stainless steel laminated lockbolts
- Locks accept standard 17mm Europrofile cylinders and thumbturn

Functionality

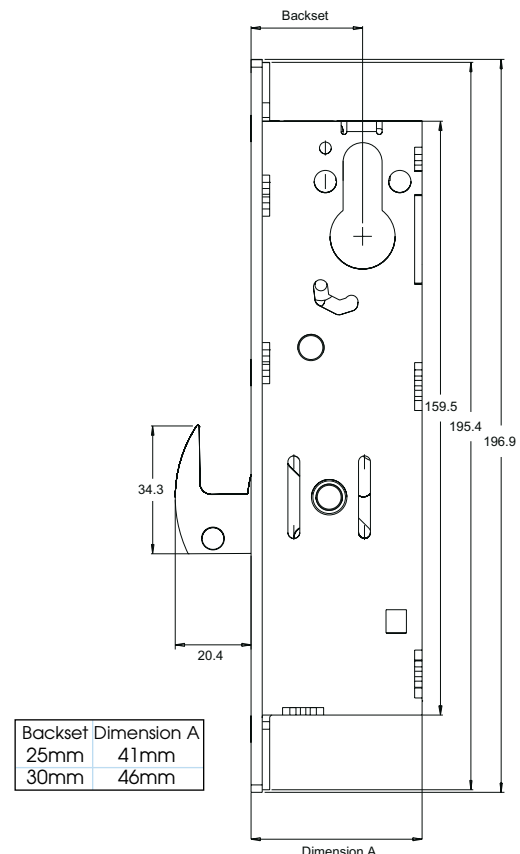
Deadlocks are available in both bar and hookbolt versions. The locks provide security deadlocking for a variety of aluminium doors including swinging and sliding applications. The hookbolt is constructed from stainless steel and is a 5 ply laminated construction, with the centre core case hardened, complete with hardened roll pin to resist hacksaw attack. All locks are designed to accept standard profile cylinders or thumbturns.

| Code | Description | For use with | Finish |
|-----------------|---|--------------|--------|
| 5222025 | Narrow stile hookbolt lock to suit 17mm Europrofile cylinder - 25mm backset | | N/A |
| 5222025R | Narrow stile hookbolt lock 25mm backset RIV nut fixing | | N/A |
| 5222030 | Narrow stile hookbolt lock to suit 17mm Europrofile cylinder - 30mm backset | | N/A |
| 5222030R | Narrow stile hookbolt lock 30mm backset RIV nut fixing | | N/A |
| 5222125 | Narrow stile barbolt lock to suit 17mm Europrofile cylinder - 25mm backset | | N/A |
| 5222130 | Narrow stile barbolt lock to suit 17mm Europrofile cylinder - 30mm backset | | N/A |
| 52FP221 | Flat faceplate - bar bolt - width 25mm | 221 | SAA |
| 52FP222 | Flat faceplate - hook lock only - width 25mm | 220 | SAA |
| 52FP225 | Radius faceplate - hook lock only - width 25mm | 220 | SAA |
| 52FP228 | Radius faceplate with weather strip - width 25mm | 220 | SAA |

For details of the faceplate variants available, contact the sales office for further information and product codes.

Conversion Chart

| Imperial Backset | Metric Equivalent |
|------------------|-------------------|
| 7/8" | 22.2mm |
| 31/32" | 24.6mm |
| 1 1/8" | 28.6mm |
| 1 1/2" | 38.1mm |



Features

- Range of backsets available
- Locks accept standard 15/32" mortice key or thumbturn cylinder
- Faceplate finish SAA
- Stainless steel laminated lockbolts

Functionality

Deadlocks are available in both bar and hookbolt versions. The locks provide security deadlocking for a variety of aluminium doors including swinging and sliding applications. The hookbolt is constructed from stainless steel and is a 5 ply laminated construction, with the centre core case hardened, complete with hardened roll pin to resist hacksaw attack. All locks are designed to accept standard round mortice cylinders or thumbturns.

| Code | Description | For use with | Finish |
|-----------------|--|--------------|--------|
| 5218501 | Narrow stile long throw barbolt deadlock to suit mortice cylinder 7/8" backset | | N/A |
| 5218502 | Narrow stile long throw barbolt deadlock to suit mortice cylinder 31/32" backset | | N/A |
| 5218503 | Narrow stile long throw barbolt deadlock to suit mortice cylinder 11/8" backset | | N/A |
| 5218504 | Narrow stile long throw barbolt deadlock to suit mortice cylinder 11/2" backset | | N/A |
| 52FP1851 | Flat faceplate - width 25mm | 1850 | SAA |
| 52FP1852 | Radius faceplate - width 25mm | 1850 | SAA |
| 52FP1853 | Radius faceplate with weather strip - width 25mm | 1850 | SAA |

For details of the faceplate variants available, contact the sales office for further information and product codes.

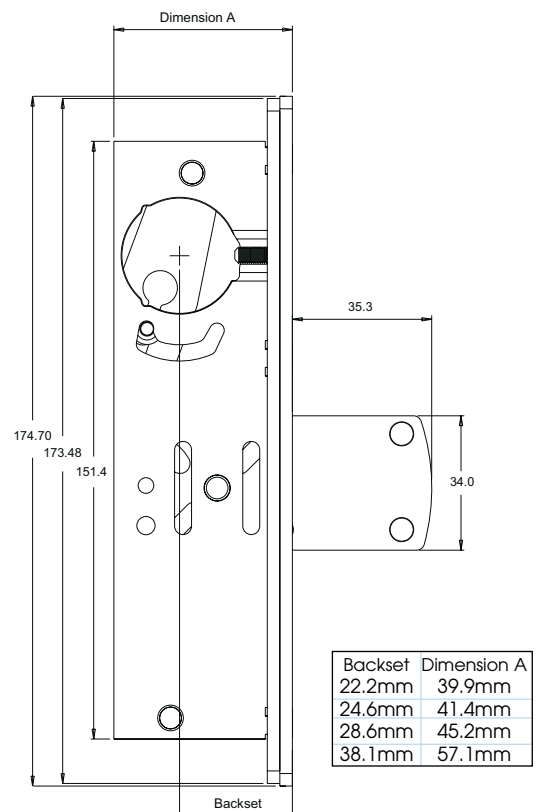
Conversion Chart

| Imperial Backset | Metric Equivalent |
|------------------|-------------------|
| 7/8" | 22.2mm |
| 31/32" | 24.6mm |
| 11/8" | 28.6mm |
| 11/2" | 38.1mm |



52185 Lock Type

52FP1851 Faceplate



Features

- Range of backsets available
- Locks accept standard 1⁵/₃₂" mortise key or thumbturn cylinder
- Faceplate finish SAA
- Stainless steel laminated lockbolts

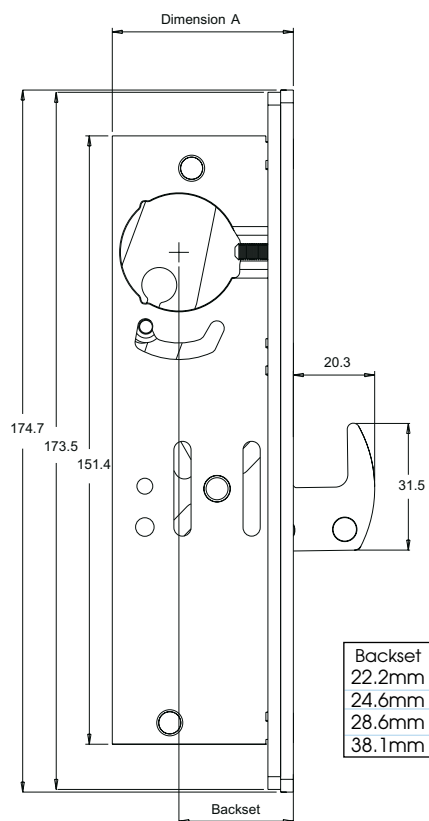
Functionality

Deadlocks are available in both bar and hookbolt versions. The locks provide security deadlocking for a variety of aluminium doors including swinging and sliding applications. The hookbolt is constructed from stainless steel and is a 5 ply laminated construction, with the centre core case hardened, complete with hardened roll pin to resist hacksaw attack. All locks are designed to accept standard round mortise cylinders or thumbturns.



52182 Lock Type

52FP1821 Faceplate



| Backset | Dimension A |
|---------|-------------|
| 22.2mm | 39.9mm |
| 24.6mm | 41.4mm |
| 28.6mm | 45.2mm |
| 38.1mm | 57.1mm |

| Code | Description | For use with | Finish |
|----------|---|--------------|--------|
| 5218201 | Narrow stile short throw barbolt deadlock to suit mortise cylinder 7/8" backset | | N/A |
| 5218202 | Narrow stile short throw barbolt deadlock to suit mortise cylinder 31/32" backset | | N/A |
| 5218203 | Narrow stile short throw barbolt deadlock to suit mortise cylinder 1 1/8" backset | | N/A |
| 5218204 | Narrow stile short throw barbolt deadlock to suit mortise cylinder 1 1/2" backset | | N/A |
| 5218205 | Narrow stile hookbolt deadlock to suit mortise cylinder 7/8" backset | | N/A |
| 5218206 | Narrow stile hookbolt deadlock to suit mortise cylinder 31/32" backset | | N/A |
| 5218207 | Narrow stile hookbolt deadlock to suit mortise cylinder 1 1/8" backset | | N/A |
| 5218208 | Narrow stile hookbolt deadlock to suit mortise cylinder 1 1/2" backset | | N/A |
| 52FP1821 | Flat faceplate - width 25mm | 1820 | SAA |
| 52FP1822 | Radius faceplate - width 25mm | 1820 | SAA |
| 52FP1823 | Radius faceplate with weather strip - width 25mm | 1820 | SAA |

For details of the faceplate variants available, contact the sales office for further information and product codes.

Conversion Chart

| Imperial Backset | Metric Equivalent |
|------------------|-------------------|
| 7/8" | 22.2mm |
| 31/32" | 24.6mm |
| 1 1/8" | 28.6mm |
| 1 1/2" | 38.1mm |

Features

- Range of backsets available
- Faceplate finish SAA
- Locks accept standard 17mm Europrofile cylinders and thumbturns

Functionality

Deadlatches offer flexible control of situations and can be used in conjunction with electric strikes to provide the added option of remote access control. Designed to operate on doors with 3mm door gaps.

| Code | Description | For use with | Finish |
|--------------|---|--------------|--------|
| 5245701 | Deadlatch to suit 17mm Europrofile cylinder 25mm backset (RH) | | N/A |
| 5245702 | Deadlatch to suit 17mm Europrofile cylinder 25mm backset (LH) | | N/A |
| 5245703 | Deadlatch to suit 17mm Europrofile cylinder 28mm backset (RH) | | N/A |
| 5245704 | Deadlatch to suit 17mm Europrofile cylinder 28mm backset (LH) | | N/A |
| 5245705 | Deadlatch to suit 17mm Europrofile cylinder 38mm backset (RH) | | N/A |
| 5245706 | Deadlatch to suit 17mm Europrofile cylinder 38mm backset (LH) | | N/A |
| 52FP4511 | Flat faceplate - width 25mm | 4510/4570 | SAA |
| 52FP4512 | Radius faceplate - width 25mm | 4510/4570 | SAA |
| 52FP4513 | Radius faceplate with weather strip - width 25mm | 4510/4570 | SAA |
| 5245-FIX-KIT | Deadlatch fixing kit - width 25mm | 4570/4510 | N/A |
| 5245ESP | Extended strike plate | 4570/4510 | N/A |
| 5235 | Strike plate | | N/A |

For details of the faceplate variants available, contact the sales office for further information and product codes.

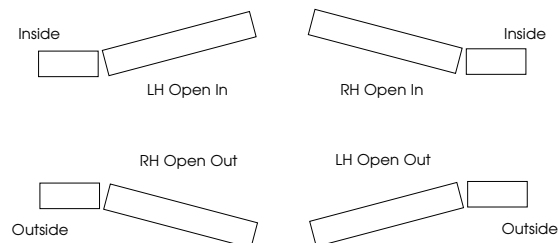
- Industry standard ANSI cut outs
- Europrofile or round mortice cylinder options
- Multiple backsets available
- Latch hold back facility
- Latches compatible for use with electric strikes

Handing of doors for locks

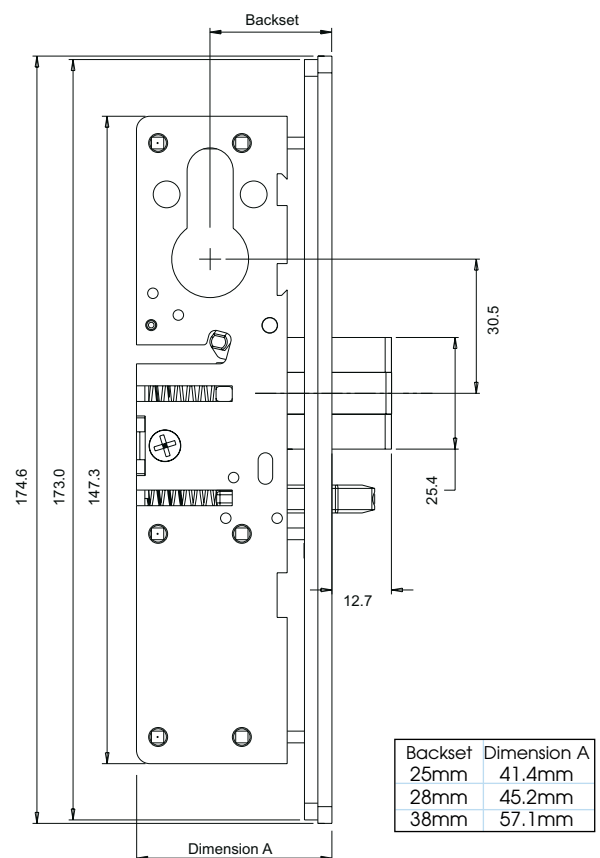
The description of swinging door operation always viewed from the outside.

LH: Door hinges on left

RH: Door hinges on right



NB - For conversion table for lock backsets see page 3



Features

- Range of backsets available
- Locks accept standard 1⁵/₃₂" mortice key or thumbturn cylinder
- Faceplate finish SAA

Functionality

Deadlatches offer flexible control of situations and can be used in conjunction with electric strikes to provide the added option of remote access control. Designed to operate on doors with 3mm door gaps, the deadlatches can also be operated with the 459 paddle handle (cam plug required).

| Code | Description | For use with | Finish |
|----------------------|--|--------------|--------|
| 5245101 | Deadlatch to suit round mortice cylinder 1 ¹ / ₈ " backset (RH) | | N/A |
| 5245102 | Deadlatch to suit round mortice cylinder 1 ¹ / ₈ " backset (LH) | | N/A |
| 5245103 | Deadlatch to suit round mortice cylinder 3 ¹ / ₃₂ " backset (RH) | | N/A |
| 5245104 | Deadlatch to suit round mortice cylinder 3 ¹ / ₃₂ " backset (LH) | | N/A |
| 52FP4511 | Flat faceplate - width 25mm | 4570/4510 | SAA |
| 52FP4512 | Radius faceplate - width 25mm | 4570/4510 | SAA |
| 52FP4513 | Radius faceplate with weather strip - width 25mm | 4570/4510 | SAA |
| 5245-FIX-KIT | Deadlatch fixing kit | 4570/4510 | N/A |
| 5245ESP | Extended strike plate | 4570/4510 | N/A |
| 5235 | Strike plate | | N/A |
| HP4560-EXT-RH | Extended cam - RH | | N/A |
| HP4560-EXT-LH | Extended cam - LH | | N/A |

For details of the faceplate variants available, contact the sales office for further information and product codes.

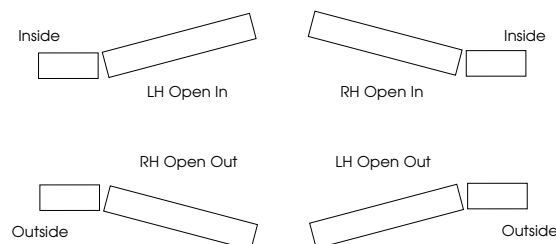
- Industry standard ANSI cut outs
- Europrofile or round mortice cylinder options
- Multiple backsets available
- Latch hold back facility
- Latches compatible for use with electric strikes

Handing of doors for locks

The description of swinging door operation always viewed from the outside.

LH: Door hinges on left

RH: Door hinges on right

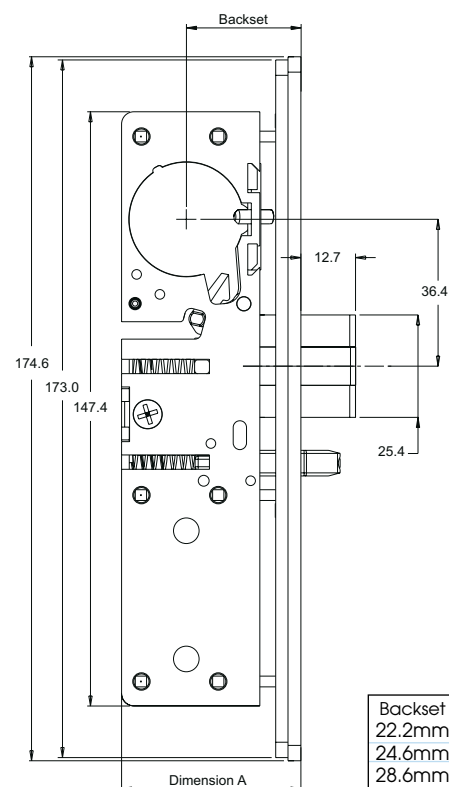


NB - For conversion table for lock backsets see page 3



524510 Lock Type

52FP4514 Faceplate



| Backset | Dimension A |
|---------|-------------|
| 22.2mm | 39.9mm |
| 24.6mm | 41.4mm |
| 28.6mm | 45.2mm |
| 38.1mm | 57.1mm |

locks

Lever & Paddle Handles



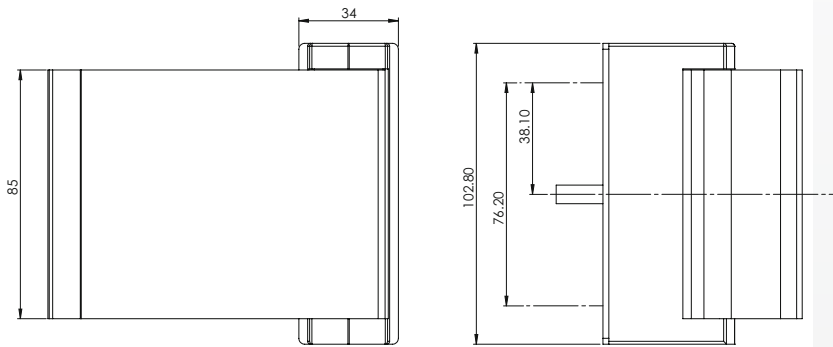
Features

- Paddle handle for use with deadlatches
- Suit 44mm thick doors
- Cam plug non-handed. Reversible in the field

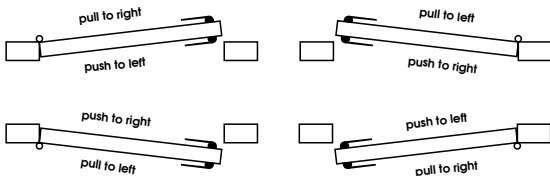
Functionality

Designed to be ergonomically friendly and practical. Coming complete with cam plug enables the handles to be used in conjunction with the 524510 deadlatch range of locks.

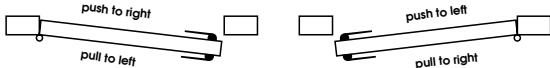
| Code | Description | For use with | Finish |
|--------|--|--------------|--------|
| 524591 | Paddle handle complete with cam plug pull to left | 4510 | SAA |
| 524592 | Paddle handle complete with cam plug push to left | 4510 | SAA |
| 524597 | Paddle handle complete with cam plug pull to right | 4510 | SAA |
| 524598 | Paddle handle complete with cam plug push to right | 4510 | SAA |



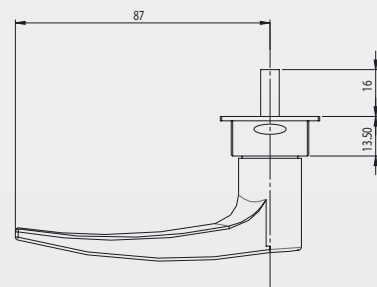
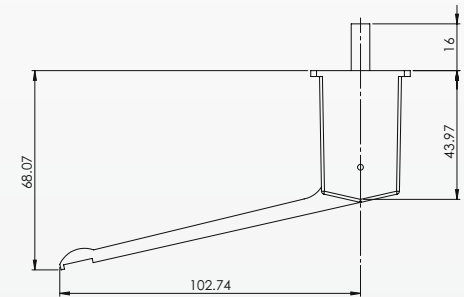
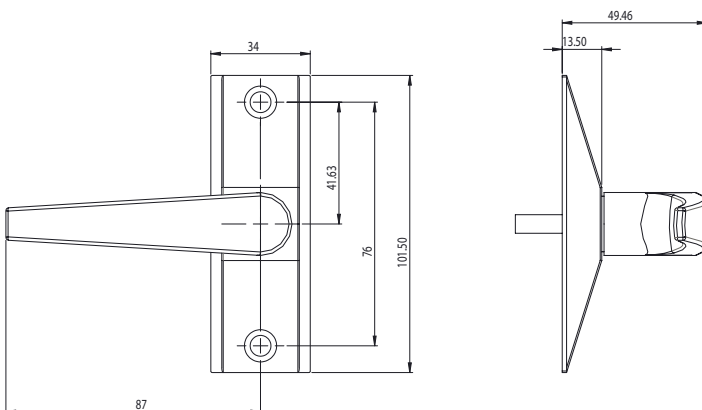
Inside of Doorway



Outside of Doorway



| Code | Description | For use with | Finish |
|---------------|--|--------------|--------|
| 5245601 | Lever handle complete with cam plug (RH) | 4510 | SAA |
| 5245602 | Lever handle complete with cam plug (LH) | 4510 | SAA |
| HP4560-EXT-RH | Extended cam - RH | | N/A |
| HP4560-EXT-LH | Extended cam - LH | | N/A |



Features

- Keyed alike and keyed different options available
- Dual and half profile

| Code | Description | For use with | Finish |
|-----------------|---|-------------------|--------|
| 5210 | Alpro key blank – Euro | Profile cylinders | N/A |
| 5211 | Lock mounting clips – per pair | All locks | N/A |
| 5214 | Double Europrofile cylinder 60mm – keyed to differ | 4570/220/221 | SAA |
| 5216/KA1 | Double Europrofile cylinder 60mm (KA Set 1) – keyed to pass | 4570/220/221 | SAA |
| 5216/KA2 | Double Europrofile cylinder 60mm (KA Set 2) – keyed to pass | 4570/220/221 | SAA |
| 5218 | Key and thumbturn Euro cylinder 60mm – keyed to differ | 4570/220/221 | SAA |
| 5220/KA1 | Key and thumbturn Euro cylinder 60mm (KA Set 1) – keyed to pass | 4570/220/221 | SAA |
| 5220/KA2 | Key and thumbturn Euro cylinder 60mm (KA Set 2) – keyed to pass | 4570/220/221 | SAA |
| 5222 | Half Europrofile cylinder 30mm – keyed to differ | 4570/220/221 | SAA |
| 5224/KA1 | Half Europrofile cylinder 30mm (KA Set 1) – keyed to pass | 4570/220/221 | SAA |
| 5224/KA2 | Half Europrofile cylinder 30mm (KA Set 2) – keyed to pass | 4570/220/221 | SAA |
| 5226 | Self adhesive escutcheons | 4570/220/221 | SAA |
| 5227 | Self adhesive escutcheons | 4570/220/221 | Black |
| 5258 | Double cylinder x 2 keyed alike as a pair | 4570/220/221 | SAA |
| 5259 | Double cylinder including key and thumbturn 60mm 1 pair – keyed to pass | 4570/220/221 | SAA |
| 5260 | Key and thumbturn Euro cylinder 60mm 1 pair – keyed to pass | 4570/220/221 | SAA |



5214 EuroProfile Cylinder



5218 Europrofile Cylinder and Thumbturn



5222 Half Profile Cylinder



5245-FIX-KIT
Fixing kit for Deadlatches



5211 Lock Mounting Clip

Round Mortice Cylinders

Features

- Standard keyways
- Range of finishes
- 1⁵/₃₂" standard cylinder

| Code | Description | For use with | Finish |
|-----------|---|-----------------|--------|
| 5228 | Round mortice cylinder keyed to differ | 1820/1850/4510 | Satin |
| 5228-TRIM | Trim ring - round mortice cylinder | | Satin |
| 5229 | Round mortice cylinder keyed to pass | 1820/1850/4510 | Satin |
| 5230 | Round mortice thumbturn | 1820/1850/4510 | Satin |
| 5231 | Round mortice cylinder guard | 1820/1850/4510 | Satin |
| 5241 | Pair of 5228 round mortice cylinders complete with 2 keys | | Satin |
| 5242 | Round mortice cylinder - trim ring 1.5mm thick | 5228/5229/5230 | Satin |
| 5243 | Round mortice cylinder - trim ring 2.5mm thick | 5228/5229/5230 | Satin |
| 5244 | Round mortice cylinder - trim ring 3mm thick | 5228/5229/5230 | Satin |
| 5247 | Key blank | Round cylinders | |



5228 Round Mortice Cylinder



5230 Round Mortice Thumbturn



5231 Round Mortice Cylinder Guard

Armoured Strikes

Features

- Armoured strike
- Increased jamb protection

| Code | Description | For use with | Finish |
|-----------|------------------------------------|--------------|--------|
| 5212 | Armoured strike | 220 | N/A |
| 5213 | Armoured strike faceplate - Radius | 220 | N/A |
| 5213-FLAT | Armoured strike faceplate - Flat | 220 | N/A |

Flushbolts and Accessories

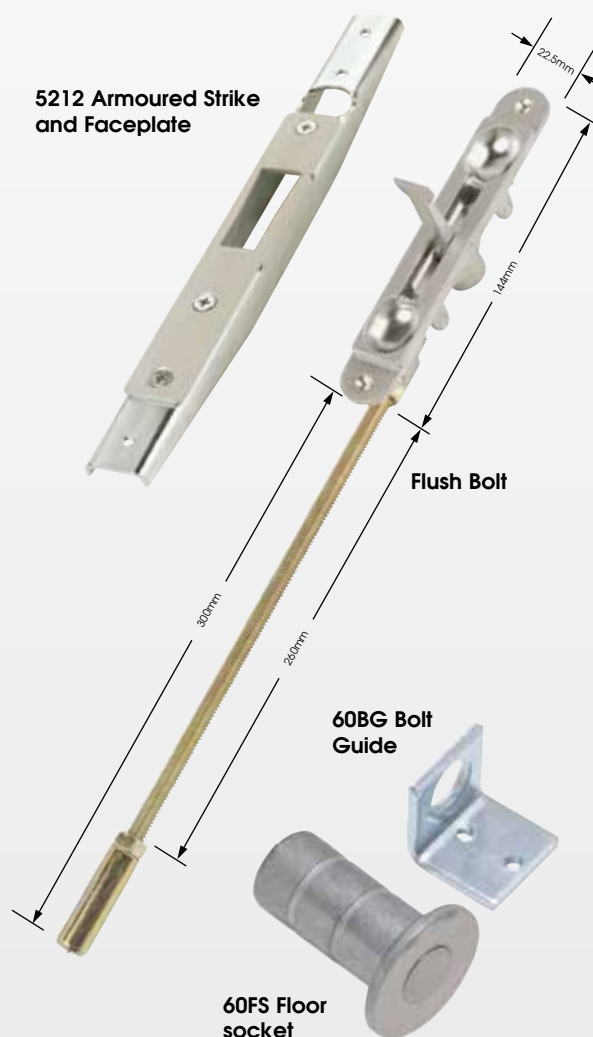
Features

- Die cast zinc alloy operation mechanism
- Available in Silver finish
- Complete with bolt guide
- Spring loaded floor sockets available on request
- Flat or radius profiles available

Functionality

Flushbolts are used to facilitate the locking of the inactive leaf of a pair of aluminium, steel or timber doors. Complete with the necessary flushbolt guide and optional spring loaded floor sockets, the bolts allow both a secure and aesthetically pleasing locking solution.

| Code | Description | Finish |
|--------|--|--------|
| 60FSAA | Flat flushbolt - complete with guide | SAA |
| 60RSAA | Radius flushbolt - complete with guide | SAA |
| 60FS | Floor socket | N/A |
| 60BG | Bolt guide | N/A |



Functionality

Magnets can be used to facilitate access and exit control systems for a variety of aluminium, timber and steel doors. The magnets embodies clean aesthetic looks with the ability to maintain a holding force of 250kgs (550lbs), offers low maintenance, and ease of installation. They provide positive fail safe operation (unless battery back up is available) at all times. Suitable for both inward and outward opening doors.

250kg Mini Magnets

| Code | Description |
|-------|---|
| 56121 | 250kgs mini magnet non monitored |
| 56122 | 250kgs double mini magnet non monitored |
| 56111 | 250kgs mini magnet monitored |
| 56112 | 250kgs double mini magnet monitored |

Specification - (250kg mini magnet)

| | |
|----------------|---|
| Single magnet | 25mm x 250mm x 42mm |
| Double magnet | 25mm x 500mm x 42mm |
| Armature plate | 160mm x 36mm x 11mm (x 2 for double magnet) |
| Holding force | 250kgs (550lbs) (x 2 for double magnet) |

500kg Magnets

| Code | Description |
|-------|------------------------------------|
| 56221 | 500kgs magnet non monitored |
| 56222 | 500kgs double magnet non monitored |
| 56211 | 500kgs magnet monitored |
| 56212 | 500kgs double magnet monitored |

Specification - (500kg magnet)

| | |
|----------------|---|
| Single magnet | 40mm x 266mm x 73mm |
| Double magnet | 40mm x 532mm x 73mm |
| Armature plate | 160mm x 61mm x 16mm (x 2 for double magnet) |
| Holding force | 510kgs (1120lbs) (x 2 for double magnet) |

General Specification

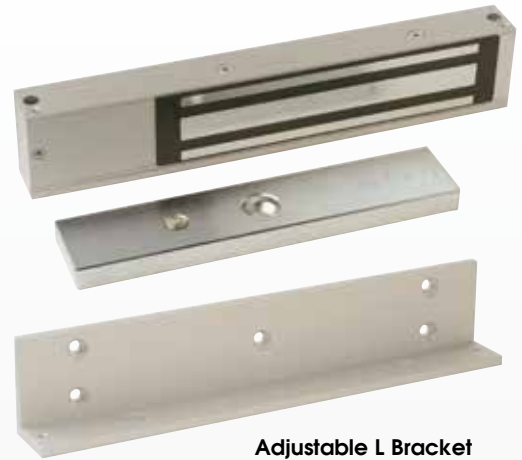
| | |
|--------------------|--|
| Supply voltage | Dual voltage 12 or 24vDC (Dual coil). Nominal +/- 10% |
| Nominal current | 500mA @ 12vDC, 250mA @ 24vDC Built in voltage spike suppressor |
| Monitoring | Relay with dry contact integral LED |
| Door Gaps | Maximum 3mm |
| Positioning | Outward opening - surface mounted to door header transom bar. Inward opening - door frame transom bar using L and Z brackets |
| Magnet housing | Brushed Satin Aluminium |
| Please note | To ensure immediate release, it is important that the release switch breaks the circuit between the power supply and the magnet |

Magnet Accessories

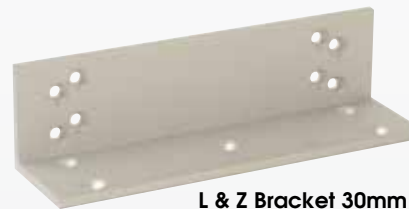
Adjustable L brackets: Suits typical outward opening door applications, where space restrictions do not allow the magnet to be fitted at the head of the door frame. L & Z brackets allow magnets to be used on inward opening door applications.

| Code | Description |
|------|---------------------------------|
| 561A | L bracket for mini magnet |
| 562A | L & Z bracket for mini magnet |
| 563A | L bracket for 500kgs magnet |
| 564A | L & Z bracket for 500kgs magnet |

N.B. - 2 brackets required for double magnet



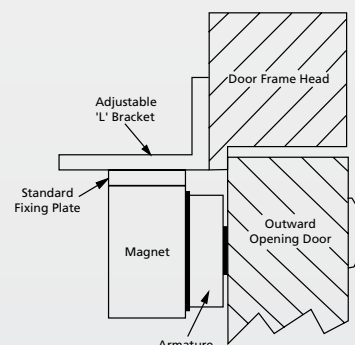
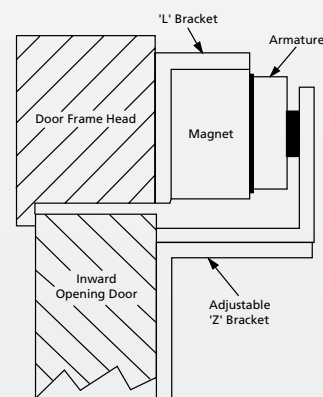
**Adjustable L Bracket
30mm x 250mm x 48mm**



**L & Z Bracket 30mm x 250mm x 48mm
(adjustable and standard L brackets)**



**L & Z Bracket 30mm x 250mm x 48mm
50mm x 160mm x 50mm (adjustable plates)**



Features

- Independently tested to 250,000 double action cycles to EN1154
- 90° hold open facility available at no extra cost
- Standard spindle length - 12mm
- Replacement items available for retrofit installations and maintenance
- Quality products at acceptable prices
- Nationwide maintenance service available

Functionality

The overhead door closer is designed to be concealed within the transom header bar of the door. It provides controlled closing of a single or double action, aluminium door or doors. Features built into the closer include dual closing speeds to allow flexibility in closing; three levels of spring strength and 90° hold open facility. The closer comes complete with its own fixing pack and comprehensive fixing instructions. Various arms and spindle lengths are available on request.

Side Loading Option (Includes 51A2 Arm)

| Code | Description |
|---------------------|--------------------------------------|
| DDA-NHO-T1-U | DDA Compliant - no hold open |
| 510100T1-U | Light duty (size 1) - no hold open |
| 510200T1-U | Medium duty (size 2) - no hold open |
| 510300T1-U | Heavy duty (size 3) - no hold open |
| 510900T1-U | Variable strength - no hold open |
| DDA-HO-T1-U | DDA Compliant - 90° hold open |
| 510190T1-U | Light duty (size 1) - 90° hold open |
| 510290T1-U | Medium duty (size 2) - 90° hold open |
| 510390T1-U | Heavy duty (size 3) - 90° hold open |
| 510990T1-U | Variable strength - 90° hold open |
| 510400DT1-U | Dummy Closer |

End Loading Option (Includes 51A3 Arm)

| Code | Description |
|---------------------|--------------------------------------|
| DDA-NHO-T2-U | DDA Compliant - no hold open |
| 510100T2-U | Light duty (size 1) - no hold open |
| 510200T2-U | Medium duty (size 2) - no hold open |
| 510300T2-U | Heavy duty (size 3) - no hold open |
| 510900T2-U | Variable strength - no hold open |
| DDA-HO-T2-U | DDA Compliant - 90° hold open |
| 510190T2-U | Light duty (size 1) - 90° hold open |
| 510290T2-U | Medium duty (size 2) - 90° hold open |
| 510390T2-U | Heavy duty (size 3) - 90° hold open |
| 510990T2-U | Variable strength - 90° hold open |
| 510400DT2-U | Dummy Closer |

Short Side Loading Option (Includes 51A1 Arm)

| Code | Description |
|---------------------|--------------------------------------|
| DDA-NHO-T3-U | DDA Compliant - no hold open |
| 510100T3-U | Light duty (size 1) - no hold open |
| 510200T3-U | Medium duty (size 2) - no hold open |
| 510300T3-U | Heavy duty (size 3) - no hold open |
| 510900T3-U | Variable strength - no hold open |
| DDA-HO-T3-U | DDA Compliant - 90° hold open |
| 510190T3-U | Light duty (size 1) - 90° hold open |
| 510290T3-U | Medium duty (size 2) - 90° hold open |
| 510390T3-U | Heavy duty (size 3) - 90° hold open |
| 510990T3-U | Variable strength - 90° hold open |
| 510400DT3-U | Dummy Closer |



51A1

Special Top Arm Assembly
Short Side Load
 For use with 65mm pivot and 51A5 'F' bracket



51A2

Side Load Top Arm Assembly
 70mm pivot



NB - Trade pack quantity for all closer types is 4
 - 17mm Extended Spindle, change code to 'X-U' i.e 510190T1X-U
 - 22mm Extended Spindle, change code to 'X-U-22' i.e 510190T1X-U-22

closers

Overhead Specifications

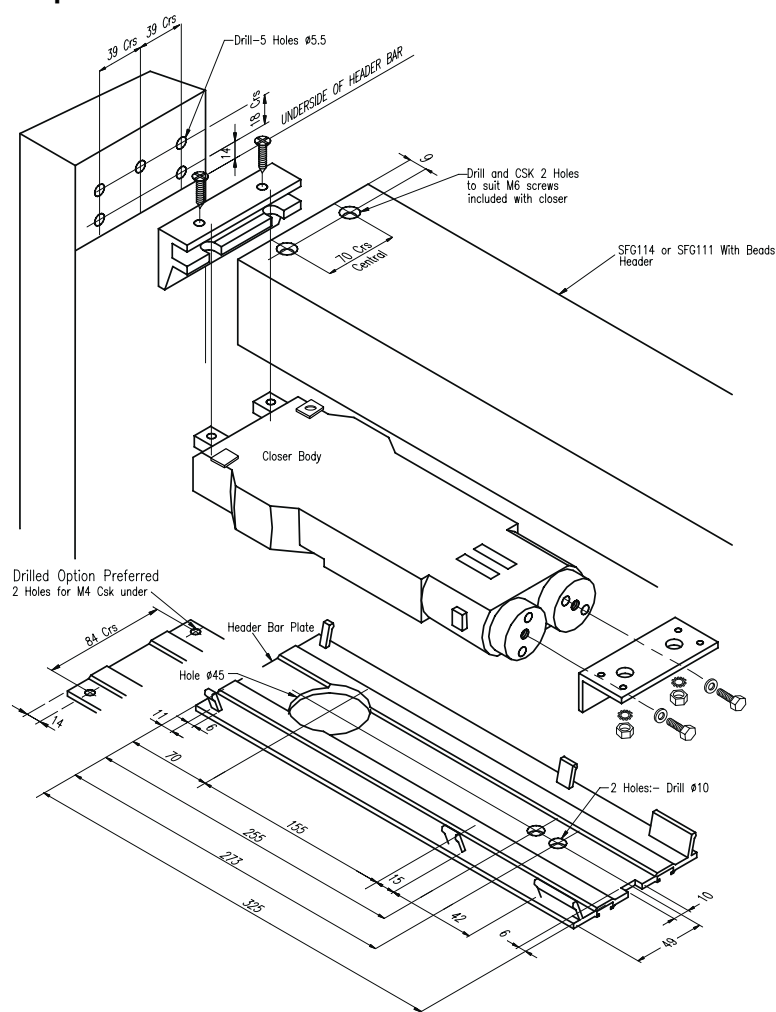


| | |
|---------------------|---|
| Dimensions | 293mm x 90mm |
| Concealed thickness | 37mm |
| Maximum door width | Light spring - under 750mm (size 1) Medium spring - 751mm to 950mm (size 2) Heavy spring - 951mm to 1150mm (size 3) |
| Maximum door weight | 100kg |
| Maximum door height | Light, medium and heavy spring - 2540mm |
| Closing speed | Dual; initial closing speed is factory preset. Final closing speed is full adjustable after installation |
| Lubrication | Stable hydraulic fluid suitable for most climatic conditions and constant lubrication |
| Function | Built in positive back stop and optional 90° hold open position |

Accessories

| Code | Description |
|-------|--|
| 51A1 | Special top arm assembly - short side load |
| 51A2 | Side load top arm assembly |
| 51A3 | End load top assembly - use for round nose stiles |
| 51A4 | Standard bottom pivot assembly |
| 51A5 | "F" bracket, closing jamb/header bar bracket including fixings |
| 51A10 | Heavy duty bottom pivot assembly - maximum weight 120kg |

Preparation Detail



51A3 End Load Top Assembly Use for Roundnose Stiles



51A4 Bottom Pivot Assembly

51A10 Heavy Duty Bottom Pivot Assembly also available



51A5 'F' Bracket with Screws (Set A)



access control

3000 Series Simplex Digital Lock



Features

- Designed for narrow stile aluminium doors
- In or out swing doors
- Key override, lockout and passage features
- Requires factory handed drive mechanism
- Satin Chrome finish
- Simple on door code change
- Weather resistant

Functionality

The 3000 Series Simplex Digital Lock provides fully mechanical pushbutton access control for narrow stile aluminium doors, with no electrical wiring, electronics or batteries. Exterior access is by combination or key override. Egress is by Alpro hardware and is free at all times.

The 3000 Series lock is designed for use with Alpro latch mechanisms and most Alpro egress hardware. Any standard mortice cylinder that operates the Alpro latch will function with a 3000 series lock. Key cylinders, cylinder trim rings, mortice latches and egress hardware are not provided.

3000 Series locks are ideal for limiting access to high traffic, security sensitive areas in commercial, institutional, government and industrial buildings. These locks are perfect for locations with a high personnel turnover rate such as data processing centres, employee entrances, R&D labs, apartments, dormitories and restricted areas in hospitals and airports.

The pushbutton design eliminates problems associated with the issue, control and collection of keys and magnetic cards. The combination can be quickly and easily changed to ensure continued security once employees, tenants or guests leave, saving the cost of new keys, cylinders, magnetic cards and card-encoding devices. The combination is changed without removing the lock from the door.



Dimensions

| | |
|-------------------|-----------|
| Case Depth | 44 |
| Backset | 48 |
| Height | 24 |
| Width | 40 |

| Code | Description | Finish |
|----------------|--------------------|--------------|
| ALP3000 | Digital lock body | Satin/Chrome |
| ALP3010 | Lock back plate RH | |
| ALP3020 | Lock back plate LH | |

Accessories

| Code | Description | Finish |
|-----------------|---|--------|
| 5228 | Round mortice cylinder keyed to differ | Satin |
| 5229 | Round mortice cylinder keyed to pass | Satin |
| 5242 | Round mortice cylinder - trim ring 1.5mm thick | Satin |
| 5245101 | Deadlatch to suit round mortice cylinder - 1 1/8" backset (RH) | N/A |
| 5245102 | Deadlatch to suit round mortice cylinder - 1 1/8" backset (LH) | N/A |
| 5245103 | Deadlatch to suit round mortice cylinder - 31/32" backset (RH) | N/A |
| 5245104 | Deadlatch to suit round mortice cylinder - 31/32" backset (LH) | N/A |
| 52FP4511 | Flat faceplate | SAA |

access control

3000 Series Digital Lock - Parts Required

Hinged on Left Opening In

- ALP3000 Digital Unit
- ALP3020 Drive Assembly (LH)
- 5228 Round Mortise Cylinder
- 5242 1.5mm Cylinder Trim Ring
- 524510(2) or (4) Round Mortise Deadlatch (LH)
- 52FP4511 Flat Faceplate*

Internal Egress any one of the following

- 5230 Round Mortise Thumbturn
- 5245602 Lever Handle & Cam Plug (LH)
- 524597 Paddle Handle & Cam Plug (Pull RH)

Hinged on Right Opening In

- ALP3000 Digital Unit
- ALP3010 Drive Assembly (RH)
- 5228 Round Mortise Cylinder
- 5242 1.5mm Cylinder Trim Ring
- 524510(1) or (3) Round Mortise Deadlatch (RH)
- 52FP4511 Flat Faceplate*

Internal Egress any one of the following

- 5230 Round Mortise Thumbturn
- 5245601 Lever Handle & Cam Plug (RH)
- 524591 Paddle Handle & Cam Plug (Pull LH)

Hinged on Left Opening Out

- ALP3000 Digital Unit
- ALP3020 Drive Assembly (LH)
- 5228 Round Mortise Cylinder
- 5242 1.5mm Cylinder Trim Ring
- 524510(1) or (3) Round Mortise Deadlatch (RH)
- 52FP4511 Flat Faceplate*

Internal Egress any one of the following

- 5230 Round Mortise Thumbturn
- 5245602 Lever Handle & Cam Plug (LH)
- 524598 Paddle Handle & Cam Plug (Pull RH)

Hinged on Right Opening Out

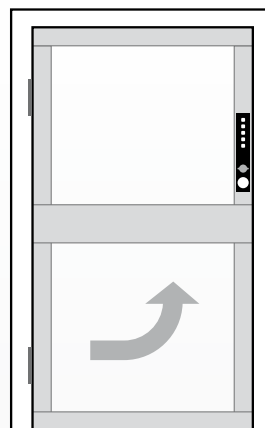
- ALP3000 Digital Unit
- ALP3010 Drive Assembly (RH)
- 5228 Round Mortise Cylinder
- 5242 1.5mm Cylinder Trim Ring
- 524510(2) or (4) Round Mortise Deadlatch (LH)
- 52FP4511 Flat Faceplate*

Internal Egress any one of the following

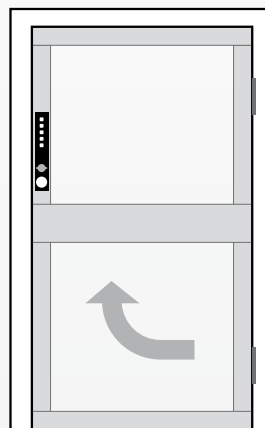
- 5230 Round Mortise Thumbturn
- 5245601 Lever Handle & Cam Plug (RH)
- 524592 Paddle Handle & Cam Plug (Pull LH)

*Radius and Weather Strip faceplates available

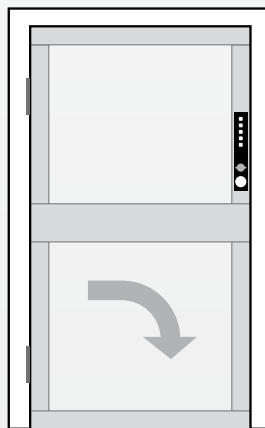
Important Note: Handing of Alpro 3000 Mechanical Digital Locks must be done looking at the side of the door the digital unit will be fixed to, as shown in the diagrams opposite.



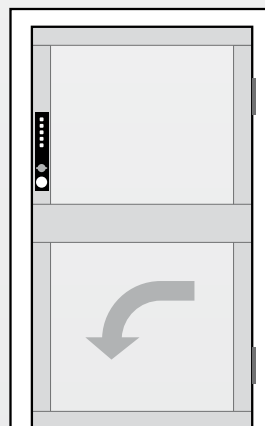
Hinged on Left Opening In



Hinged on Right Opening In



Hinged on Left Opening Out



Hinged on Right Opening Out

access control

Compact Shearlock Magnet



Functionality

The Alpro EMS1200 compact shearlock is available in mortice or surface mount models (inc. glass mount) and offers slimline dimensions whilst maintaining a holding force in shear of 1200kg. Versatile installation suitable for single or double action doors.

Other benefits include built in PCB controller with switch selectable features and plug in 3 metre flying leads.

Compact Design

Magnet 163mm (L) x 30mm (W) x 35mm (D)
 Armature 163mm (L) x 30mm (W) x 32mm (D)

Accessories

For use with surface mount housings. Aluminium glass mount bracket suitable for 10-12mm glass - 230mm (L) x 30mm (W) x 45mm (D)
 Filler plates - 225m (L) x 1/2/6mm (W) x 38mm(D)

| Code | Description |
|-----------|---|
| EMS1200M | Mortice shearlock 12/24v DC Door Position switch – monitored complete with on board PCB/plug in 3m flying leads |
| EMS1200S | Surface mount shearlock as above complete with surface mount housings x 2 |
| EMS1200MS | Mortice shearlock as above complete with surface mount housings x 1 |

Accessories

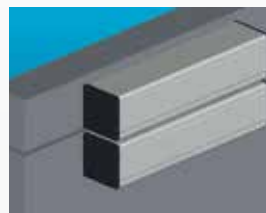
| Code | Description |
|----------|--|
| GDC 1200 | Aluminium frameless glass (10/12mm) door clamp for use with EMS1200S. One per surface mount housing e.g. 2 required for use with EMS1200S. 1 required for use with EMS1200SM |
| FP1200-1 | Aluminium filler plate 1mm thick x 1 |
| FP1200-2 | Aluminium filler plate 2mm thick x 1 |
| FP1200-6 | Aluminium filter plate 6mm thick x 1 |

Regulated Power Supply

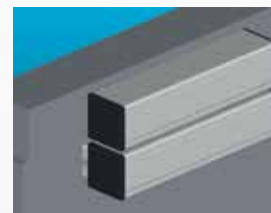
| Code | Description |
|---------------|----------------------------|
| IECPSU12V2AMP | 12v 2Amp power supply unit |
| IECPSU24V2AMP | 24v 2Amp power supply unit |

Regulated PSU required for correct operation

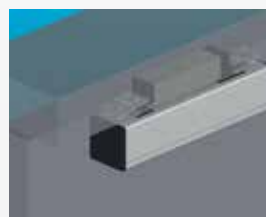
Independent DPS (door position switch) required for steel door applications. Suitable positive centring closer required on double action doors.



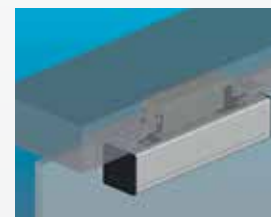
Metal door to metal frame - flush



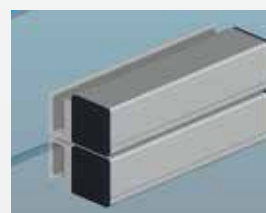
Metal door to metal frame - Offset



Metal door to metal frame



Frameless glass door to metal frame. Armature surface



Frameless glass door to glass



SM1200



GDC1200



FP 1200-1/2/6

AL110 ANSI Electric Strike

Features

- Compact body design - 35mm depth
- Deep jaw - accepts 13mm latch bolt
- Simple function changeover
- Low current consumption - 12vDc - 200mA
- 24vDC - 100mA
- Holding force 1,750Kg (3,860lb) - factory tested
- Long and short ANSI stainless steel faceplates
- 15, 25, 50 & 70mm extension lips available
- Mounting kit supplied as standard
- Monitored version available
- Easy installation
- Weather resistant



| Code | Description | Function |
|---------|---------------------|-----------------|
| AL111AS | 12/24vDC ANSI Short | Fail Safe/PTL |
| AL112AS | 12/24vDC ANSI Short | Fail Secure/PTO |
| AL111BS | 12/24vDC ANSI Long | Fail Safe/PTL |
| AL112BS | 12/24vDC ANSI Long | Fail Secure/PTO |

AL2000 Monitored Electric Strike

Features

- Stainless steel one part body and striker
- Compact body design - 26mm overall depth
- Fail Safe/Fail Secure selectable
- Latch & Door monitoring
- Anti-tamper monitoring
- Low current consumption - 12vDC - 220mA
- 24vDC - 110mA
- Holding force - 1,380kg (3,000lb) - factory tested
- Unmonitored version available
- 15, 25, 50 & 75mm extension lips available
- Easy installation
- Weather resistant



| Code | Description | Function |
|--------|--------------------|---------------|
| AL2001 | 12/24vDC Monitored | Fail Safe/PTL |

AL150 RIM Electric Strike

Features

- Stainless steel striker
- Compact cast aluminium body - Enclosed in one-part case
- Simple Fail Safe/Fail Secure Changeover
- Latch & Door monitoring
- Low current consumption - 200mA - 12vDC Continuous ($\pm 15\%$)
- 100mA - 24vDC Continuous ($\pm 15\%$)
- Holding force - 750kg (1,680lb) - factory tested
- Easy installation
- Weather resistant

| Code | Description | Function |
|-------|---------------------|---------------|
| AL151 | 12/24vDC Rim Strike | Fail Safe/PTL |

PLEASE SEE OUR ACCESS CONTROL CATALOGUE FOR OUR FULL RANGE

access control

Solenoid Bolts & Waterproof Keypads



EB250 & EB250KO Solenoid Bolt

Features

- Stainless steel bolt - 14mm diameter / 14mm throw
- Stainless steel construction - holds up to 1,000kg
- Mortice and surface fitting
- Horizontal and vertical installation
- Dual monitoring - EB250 / Triple Monitoring - EB250KO
- Low current consumption - 12vDC - 120mA
- 24vDC - 70mA
- Automatic voltage adjustments - from 12vDC to 24vDC
- Built in access control processor - automatic unlock period - 8 seconds
- Multiple auto relock function
- Key override model available (EB250KO)
- Accessories available



| Code | Description | Function |
|----------------------|---|-----------------|
| EB-250/PTL | 12-24vDC Radius Faceplate | Fail Open/PTL |
| EB-250/PTL | 12-24vDC Square Faceplate | Fail Open/PTL |
| EB-250KO/PTO | 12-24vDC Key Override Radius Faceplate | Fail Secure/PTO |
| EB-250SKO/PTO | 12-24vDC Key Override Square Faceplate | Fail Secure/PTO |

Waterproof Keypads

Features

- No moving parts - Solid state Piezo technology
- Waterproof - IP68 Certificated - Highest certification possible
- Slimline design - 44.5mm (W) x 181mm (L)
- Tamper resistant - Security plugs provided
- Vandal resistant - One piece solid housing
- Variable length codes - from 4 to 8 digit codes can be used simultaneously
- Up to 200 user codes - 100 million combinations 4 to 8 digit codes
- CE and UL approved



| Code | Description |
|--|--|
| Self contained single door access control - 200 users | |
| AS-626S-200 | Slim surface mount, 2 x 6, 2 LED, outdoor/indoor, bright aluminium |

Waterproof Exit Switches also available

Please contact the Sales Office for details and order codes.

PLEASE SEE OUR ACCESS CONTROL CATALOGUE FOR OUR FULL RANGE

other products

Door Handles

Alpro door handles are bold and modern in appearance and practical in everyday use.

- Aluminium, timber and glass door applications
- Made from stainless steel and aluminium with powder and nylon coated versions to RAL colours
- Wide range of styles and finishes
- Many sizes available from stock or within a few days



Access Control

Alpro also offer a comprehensive range of high quality, high security access control products to suit even the most demanding of situations.

The range includes:

- Electric Strikes
- Solenoid Bolts
- Deadlocking Bolts
- Infrared Proximity Switches
- Compact Shearlocks
- Vortex Magnets
- Cabinet Locks
- Waterproof Keypads
- Waterproof Exit Switches
- Interlock Controllers
- Power Supply Units



Our difference...



We are a family owned company founded in 1938 to supply quality mechanical components. Today we serve a broad band of industry with a wide range of quality products.

These are manufactured by companies of international repute who are each specialists in their own field.

We are approved to BS EN ISO 9001:2008.

We aim to provide the best in both products and service

- Experienced informative staff give fast, effective and friendly service.
- Technical support nationwide.
- Competitive and cost effective solutions.
- CAD design facility.
- Large stocks - same day despatch - Kanban and JIT deliveries.
- Modern technology combined with people.
- Listen, communicate - no surprises!
- Think long term - everlasting customers.



alpro®... *the team that cares*

Integrity • Expertise • Commitment

IEC Limited, Harwell Road, Nuffield Estate, Poole, Dorset BH17 0BD Great Britain

Registered in England 1925537

2/2017



T 01202 676262
F 01202 680101
E info@alpro.co.uk
W www.alpro.co.uk