

access control

alpro®

*Commitment to
Excellence*



20th ANNIVERSARY • 2013 • 20th ANNIVERSARY • 2013 • 20th ANNIVERSARY • 2013
20
YEARS
Serving the Industry

*Commitment to
Excellence*

Alpro Architectural Hardware is an independent supplier of both mechanical and electro-mechanical products to the UK commercial aluminium OEM marketplace and access control environment.

The Alpro product range comprises a variety of electro-mechanical products designed to meet the needs of the demanding access control market segment. Products include electric strikes, deadlocking bolts, shearlocks, cabinet locks, waterproof keypads and exit switches, to name but a few.

A variety of contemporary handle styles complement this impressive product portfolio, which are both hard wearing and aesthetically pleasing. The Alpro range also includes deadlocks, deadlatches, cylinders, concealed door closers, flushbolts, lever and paddle handles. All of which have been designed for the commercial aluminium door industry.

Alpro's location in Poole boasts substantial levels of stock, tailored to the fast response times expected of a quality supplier with Kan-Ban and JIT systems in place. Comprehensive internal and external sales and technical support is available to ensure the correct selection of product and application.

As a quality supplier of access control and door hardware products facilitating solutions to most access scenarios, Alpro has supplied products to a number of major organisations.



Quality Policy

Our success is built on our ability to provide our customers with quality products and standards of service that meet or exceed their expectations.

We shall continue to be successful by:

- **Ensuring** that quality is everybody's responsibility
- **Maintaining** an environment in which teamwork and involvement results in continuous improvements in the way we work
- **Improving** our skills by effective training and development
- **Working** on our Quality Management System which meets ISO 9001:2008
- **Providing** our customers with the right products at the right time from our specialist suppliers.

The Managing Director is ultimately responsible for the implementation of this policy with the assistance of our Quality Manager who controls the reviews, audits and works to ensure the unflinching maintenance of our quality standards.

Our policy is to provide an unrivalled service by getting it right first time and every time thereafter.

access control

Contents



Electric Strikes
- Pages 4 - 10



Electric Bolts
- Pages 11 - 13



Solenoid Bolts
- Pages 14 - 15



Deadlocking Bolts
- Pages 16 - 21



Mini Electric Bolts
- Page 22



Cabinet Locks
- Page 23



Compact Shearlocks
- Page 24 - 25



Vortex Magnets
- Pages 26 - 31



Other Magnets
- Pages 32 - 33



Keypads & Exit Switches
- Pages 34 - 39



Interlock Controller
- Pages 40 - 41



Infrared Proximity Switch
- Page 42

ANSI electric strike

AL110

The Alpro AL110 series is an ANSI style security strike complete with stainless steel short or long faceplates for use in metal or timber door applications.



12/24v Selectable

Stainless Steel Face Plate and Striker

Holding Force

1,750kg (3,860lb) - factory tested

Compact Cast Aluminium Body

35mm overall depth

Deep Jaw

Accepts 13mm latch bolt

Low Current Consumption

200mA - 12v DC continuous ($\pm 15\%$)

100mA - 24v DC continuous ($\pm 15\%$)

Simple Fail Safe/Fail Secure Changeover

Easy Installation

Stick on/Peel off template

Monitored and lipless versions available

Weather Resistant - IP56 Protection as Standard

Options

ANSI short and ANSI long faceplates

Extension lips – 15, 25, 50 and 75mm (pre-drilled strike body)

Spares

Replacement changeover pin

Approvals

CE – BS EN 50081-1 and BS EN 50082-1

AC Compatibility (with RM1)

The Rectifier Sounder Module enables operation with AC voltages.

The sounder can be set for either buzzing or silence with both AC and DC voltages.

The IEC RM1 unit is continuously rated – max 1 amp.



COMPANY	MODEL	COMPANY	MODEL
Accepts 13mm latch bolt when fitted with 3mm door gap		Accepts 13mm latch bolt when fitted with 3mm door gap	
Adams-Rite	4710, 4720, 4750	Legge	8767, 8157N, E900
ASEC	AS1094, AS1095	Union	2332, 2341, 2349, 2370, 2379
ASSA	3059, 3061, 3062, 8516, 8517, 8518, 8519, 8760, 8761, 8762, 8764	Viro	8516, 8517, 8518, 8519
Chubb	3R35	Yale	3600, 3610, 4103, 6025, 6070

DESCRIPTION	FUNCTION	CODE
12/24vDC ANSI Short SS Strike including mounting kit	Fail Safe/PTL	AL111AS
12/24vDC ANSI Short SS Strike including mounting kit	Fail Secure/PTO	AL112AS
12/24vDC ANSI Long SS Strike including mounting kit	Fail Safe/PTL	AL111BS
12/24vDC ANSI Long SS Strike including mounting kit	Fail Secure/PTO	AL112BS
For monitored version add -M to code e.g. AL111AS-M		
For lipless version add -O to code e.g. AL111AS-O		

ACCESSORIES	CODE
15mm Extension Lip	ALEX1115
25mm Extension Lip	ALEX1125
50mm Extension Lip	ALEX1150
75mm Extension Lip	ALEX1175
Rectifier Sounder Module	IEC-RM1

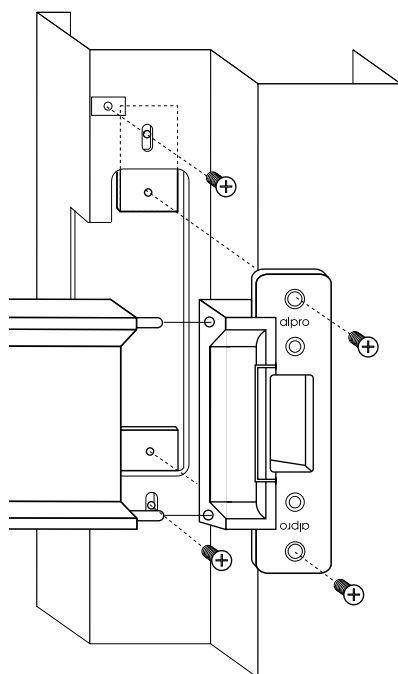
Illustrated AL110 ANSI short metal door preparation

(BS) ANSI long faceplate 200 x 35

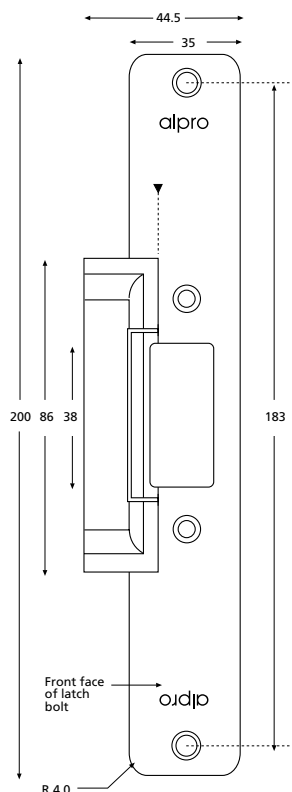
(AS) ANSI short faceplate 124 x 31

15, 25, 50 & 75mm Extension Lips are available as extras

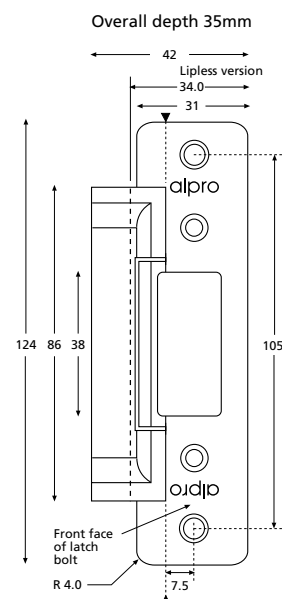
Note: For detail of installation see instructions/ template



(BS) ANSI Long Faceplate



(AS) ANSI Short Faceplate



monitored electric strike

AL2000

The Alpro AL2000 series high security monitored strikes are designed for timber and metal door applications.

12/24v Selectable

High Security

Stainless steel one part body and striker

Holding Force

1,380kg (3,000lb) - factory tested

Monitoring

Latch and door monitoring
Anti-tamper monitoring

Compact Shallow Body

26mm overall depth

Fixing Tab Options

Single fixing for metal

Low Current Consumption

220mA - 12v DC continuous ($\pm 15\%$)

110mA - 24v DC continuous ($\pm 15\%$)

Simple Fail Safe/Fail Secure Changeover

Easy Installation

Stick on / peel off template

Weather Resistant - IP56 Protection as Standard

Options

Unmonitored version available

Extension lips – 15, 25, 50 and 75mm (pre-drilled strike body)

Spares

Replacement changeover pin

Approvals

CE – BS EN 50081-1 and BS EN 50082-1

AC Compatibility (with RM1)

The Rectifier Sounder Module enables operation with AC voltages.

The sounder can be set for either buzzing or silence with both AC and DC voltages.

The IEC RM1 unit is continuously rated – max 1 amp.



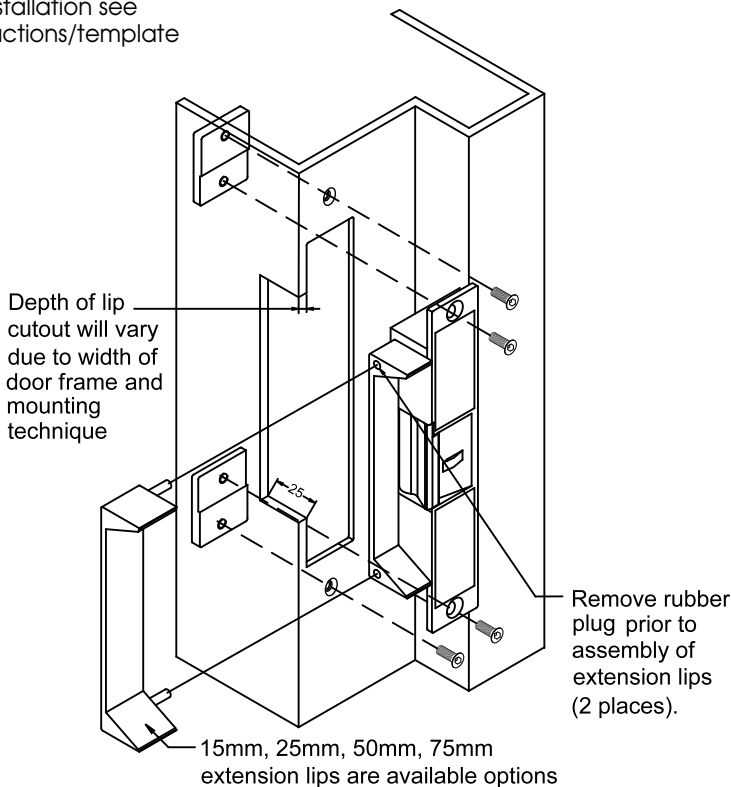


COMPANY	MODEL	COMPANY	MODEL
Accepts 15mm latch bolt when fitted with 3mm door gap			
Adams-Rite	4710, 4720, 4750	Legge	8767, 8157N, E900
ASEC	AS1094, AS1095	Union	2332, 2341, 2349, 2370, 2379
ASSA	3059, 3061, 3062, 8516, 8517, 8518, 8519, 8760, 8761, 8762, 8764	Viro	8516, 8517, 8518, 8519
Chubb	3R35	Yale	3600, 3610, 4103, 6025, 6070

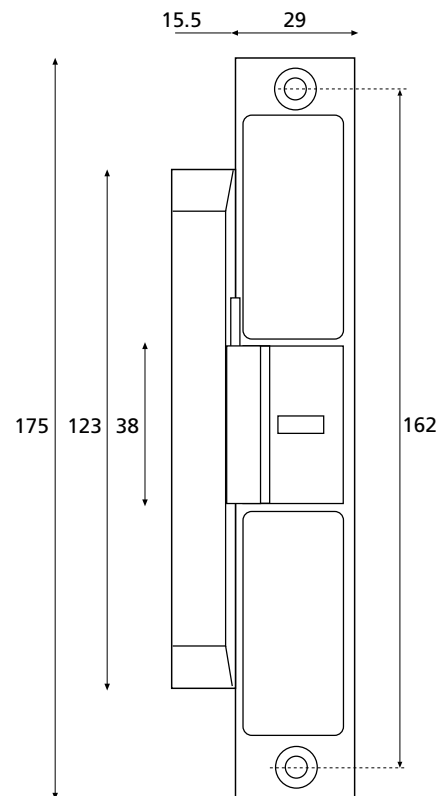
DESCRIPTION	FUNCTION	CODE
12/24vDC Monitored Strike including mounting kit	Fail Safe/PTL	AL2001

ACCESSORIES	CODE
15mm Extension Lip	ALEX2015
25mm Extension Lip	ALEX2025
50mm Extension Lip	ALEX2050
75mm Extension Lip	ALEX2075
Rectifier Sounder Module	IEC-RM1

Note: For detail of installation see instructions/template



AL2000
Overall depth 26mm



RIM electric strike

AL150

The Alpro AL150 series security rim strikes are designed for use with the majority of popular rim latches used on timber door applications.



12/24v Selectable

Stainless Steel Striker

Holding Force

750kg (1,680lb) - factory tested

Low Current Consumption

200mA - 12v DC continuous ($\pm 15\%$)

100mA - 24v DC continuous ($\pm 15\%$)

Simple Fail Safe/Fail Secure Changeover

Compact Cast Aluminium Body

Enclosed in one-part case

Easy Installation

Stick on/peel off template

Finish

Black polyester powder paint

Options

Monitored version available

Weather Resistant - IP56 Protection as Standard

Spares

Replacement changeover pin

Approvals

CE - BS EN 50081-1 and BS EN 50082-1

AC Compatibility (with RM1)

The Rectifier Sounder Module enables operation with AC voltages.

The sounder can be set for either buzzing or silence with both AC and DC voltages.

The IEC RM1 unit is continuously rated – max 1 amp.



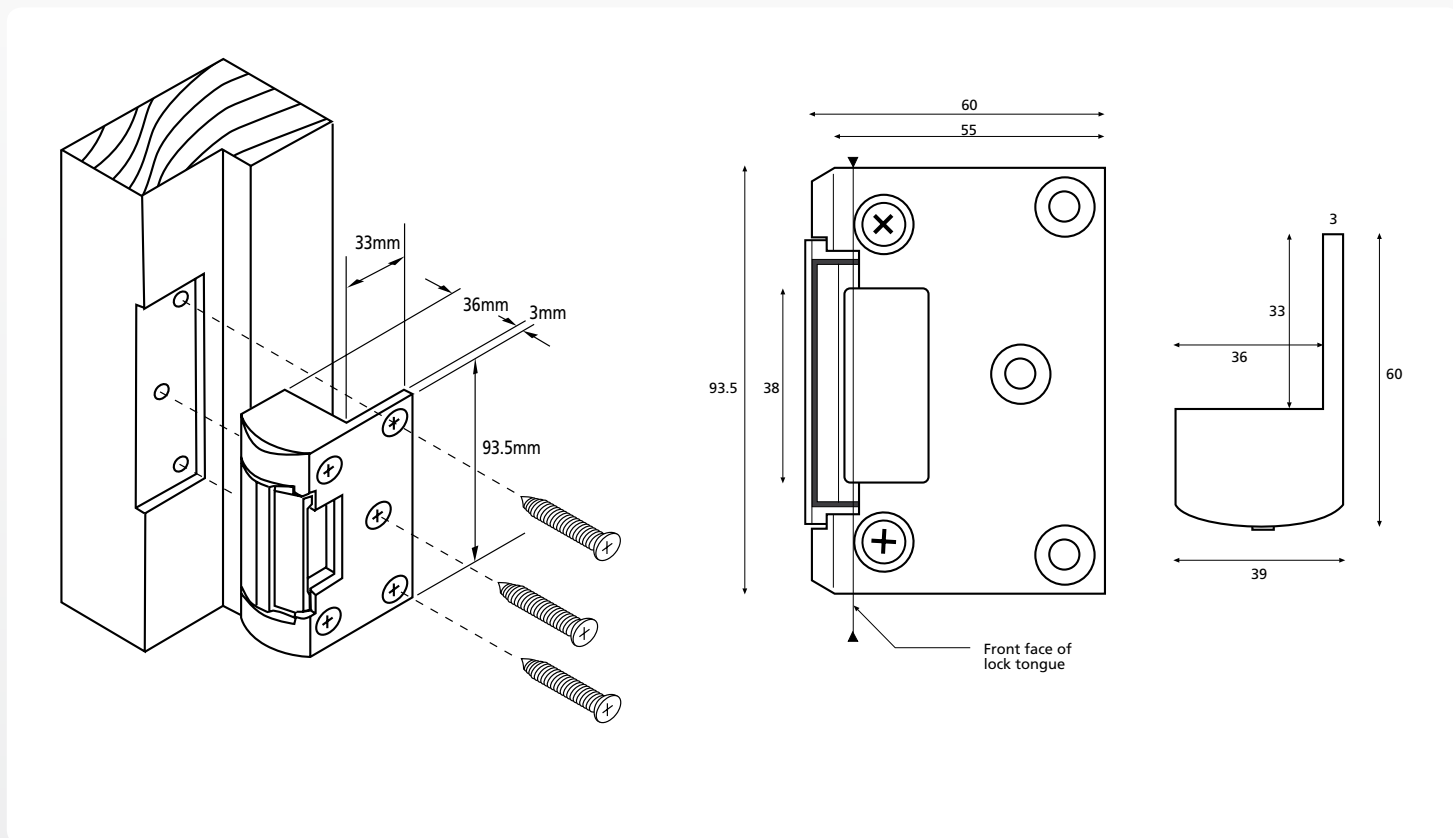
Lock Compatibility/Ordering Information/Specifications



COMPANY	MODEL	COMPANY	MODEL
Accepts 12mm latch bolt when fitted with 3mm door gap Chubb	Narrow style 4L73	Accepts 12mm latch bolt when fitted with 3mm door gap Union	Narrow style 1027, 1047, 1097
	Standard style 4L74		Standard style 1022, 1026, 1028, 1048, 1098
	Traditional style 4L75		Narrow style 84, 706, No.2
Legge	66, 707, 727	Yale	Standard style 77, 88, 90, 91, No.1

DESCRIPTION	FUNCTION	CODE
12/24vDC Rim Strike	Fail Safe/PTL	AL151
12/24vDC Rim Strike	Fail Secure/PTO	AL152

ACCESSORIES	CODE
Rectifier Sounder Module	IEC-RM1



rectifier sound module

RM1

Enables Alpro strikes to operate with AC systems.

Enables use of quality strike at greatly reduced current consumption over dedicated AC strikes.

Only for use with product with maximum current load of 1 amp. Not solenoid bolts or shearlocks for example.



RM1 continuously rated

Switchable buzzer

Buzzer function available on DC - on/off.
Allows for silent operation on AC.

Power

Input voltage range is 12-24v AC +/- 15%
There is no polarity on the AC input
Output will always be lower than the input by 10% approximately. If you require 12v DC output ensure input is at least 13v AC. Standard voltmeters will show the output voltage as lower, this is because the output is not smoothed which will create false readings on your meter.

Current Load

Maximum current load is 1 amp (1000mA).

Sounder

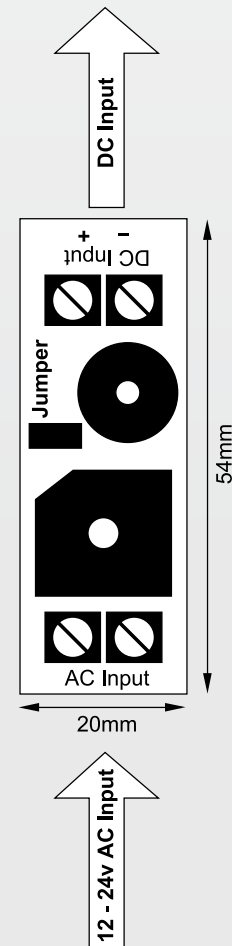
The sounder will sound whenever an input voltage is present, if this is not required remove the link located next to the sounder. Store the link on the pin, in case you change your mind and need it later.

Location

This RM1 Rectifier is not designed to work in damp environments; **and MUST BE protected from moisture**. If this is not possible at the device end of the circuit, the PCB must be removed to a dry position near the AC power source. The exact location of the PCB is not critical; the voltage output will not change significantly.

DC Input

This product will accept a DC input if you only wanted to use the sounder function. There is still no polarity on the input and the output polarity will always be as shown.



DESCRIPTION	CODE
Rectifier Sounder Module for AC operation	IEC-RM1

electric bolts

Selection Chart

	Slimline Security	Key Override	Slimline Security	Key Override	Latching Bolt	Security	Mini Security
Holding Force kg	1,000	1,000	1,000	1,000	1,000	-	-
Deadlocking	-	-	✓	✓	✓	-	-
Bolt material	SS	SS	SS	SS	SS	SS	SS
Bolt throw mm	15.5	14	16	16	16	15	13
Bolt diameter mm	14	14	12.7	12.7	12.7	15	12
Face plate material	SS	SS	SS	SS	SS	ALI	SS
Face Plate width mm	25	25	25	25	25	34/38	22
Overall dimension mm							
Length	210	230	210	280	210	203	150
Width	25	25	25	25	25	34/38	22
Depth	45	45	42	42	42	38	30
Back box dimension mm							
Length	160	180	164	230	164	167	118
Width	22	22	22	22	22	28	20
Depth	42	42	39	42	39	34	27
Current @ 12vDC							
Activate	740mA	740mA	1100mA	1100mA	1100mA	1000mA	700mA
Hold (after 200ms) *8 secs	120mA	120mA	210mA	210mA	160mA	250mA	100mA
Current @ 24vDC							
Activate	440mA	440mA	1000mA	1000mA	1000mA	-	-
Hold (after 200ms)	70mA	70mA	90mA	90mA	90mA	-	-
Monitoring							
Bolt position indicator	✓	✓	✓	✓	✓	✓	-
Door position switch	✓	✓	✓	✓	✓	✓	✓
Access Control Module							
Auto unlock period 8 secs	-	-	✓	✓	✓	-	-
Multiple relocking - 9 attempts over 16 secs	-	-	✓	✓	✓	-	-
Auto lock time delay – zero, 3, 6 or 9 secs)	✓	✓	✓	✓	✓	✓	✓
Surface Mount Kit	SS	-	SS	SS	SS	STEEL	SS
CE Approved	✓	✓	✓	✓	✓	✓	✓
Guarantee	3 years	3 years	5 years	5 years	5 years	3 years	3 Years
SERIES REF	EB250	EB250KO	DB25	DB25KO	DB25L	EB1001	EB501

electric bolt

EB1001

The Alpro EB1001 Electric Bolt allows for remote access and exit control of most timber and metal doors. It is suitable for sliding or swing, single and double action operations. It can be fitted in the frame or in the door and comes with plug in LED Bolt indicator as standard.

Function

Fail Open/Power to Lock

Construction

Stainless steel bolt (15mm diameter and throw) and strike plate provide secure locking. A stainless steel dress plate is provided to cover the brushed aluminium faceplate.

Electrical Features

Voltage	12v DC±15%
Activating current	1000mA
Holding current	250mA

Continuously rated solenoid
Fully protected against transient & reverse polarity

Monitoring

Door position switch
Bolt position indicator

Versatile Installation

Designed to provide concealed high security locking on any single or double action, hinged or sliding door in timber or metal for vertical or horizontal mounting.

Auto Relock Function

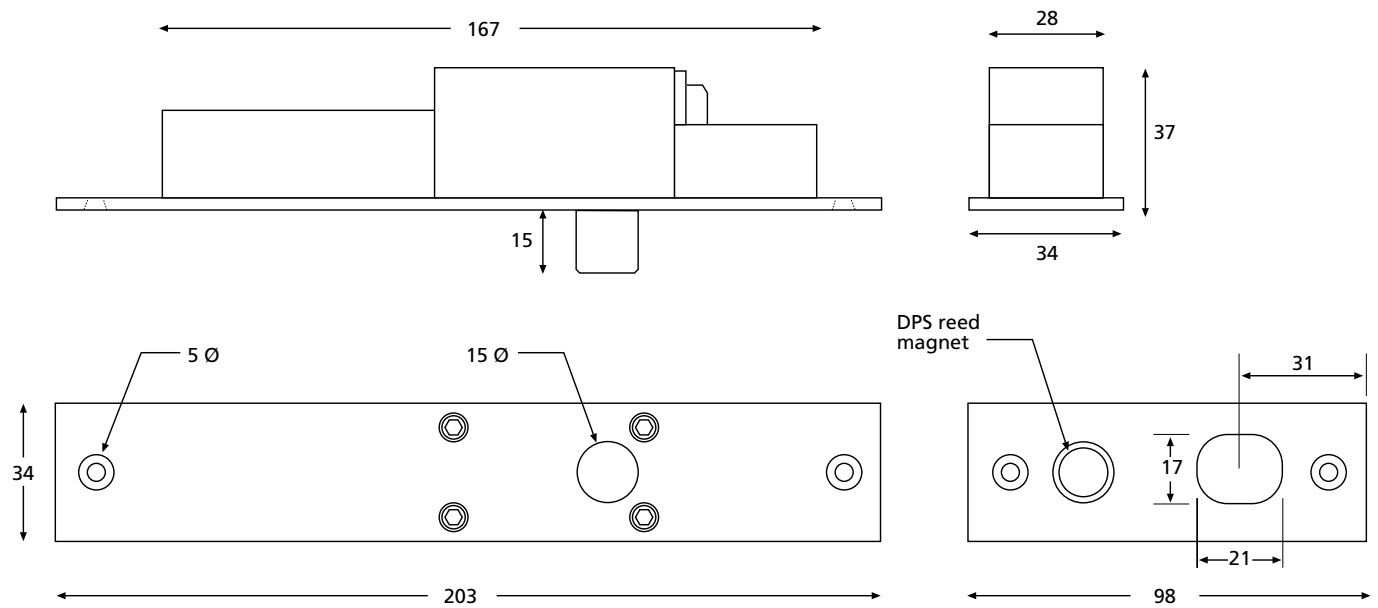
Can be set for 0,3,6 or 9 seconds

Accessories

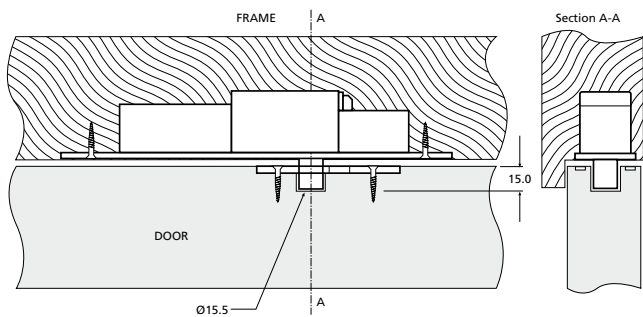
Surface mounting kit in chromated steel



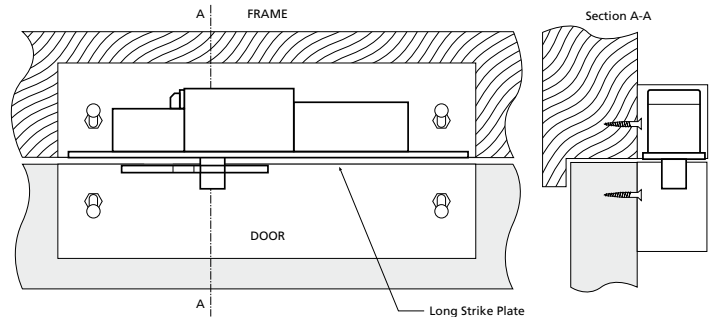
DESCRIPTION	FUNCTION	CODE
Electric bolt 12v DC	Fail Open / PTL	EB1001/34MM/R1
ACCESSORIES	FINISH	CODE
Surface Mounting Kit	Chromated steel	EB1001/SMHKIT 34MM



Normal fixing



Surface mount kit - chromated steel



Housing dimensions 228mm(L) x 38mm(W) x 42mm(D)

solenoid bolt

Slimline - EB250 & EB250KO

The Alpro EB250 & EB250KO key override bolts allow for both remote access and exit control of most timber and metal doors. It is also suitable for sliding or swing, single or double action operations. It can be fitted in the frame or in the door. With concealed mortise mounting and slimline styling the bolts suit most narrow stile aluminium doors and narrow profile joinery.

High Physical Security

Holding force 1,000kg - Bolt throw 14mm

Robust Construction

All stainless steel bolt of 14mm diameter, linkages and springs. 3mm stainless steel faceplate and strike plates with fully enclosed mechanism.

Versatile Installation

Designed to provide concealed high security locking on any single or double action, hinged or sliding door in timber or metal for vertical or horizontal mounting.

Slimline Dimensions

EB250	210mm(L) x 25mm(W) x 43mm(H)
Back box	160mm(L) x 22mm(W) x 40mm(H)
EB250KO	230mm(L) x 25mm(W) x 43mm(H)
Back box	180mm(L) x 22mm(W) x 40mm(H)

Faceplates

Radius

Multiple Voltage Input

Any voltage from 12v DC/24v DC. Complete with built in transient and reverse polarity protection and continuously rated solenoid.

Low Current Consumption

Volts	Current - Activate	Current - Hold
12v DC	740mA	120mA
24v DC	440mA	70mA

Auto Relock Function

Can be set to 0, 3, 6 or 9 seconds (DIP switch)

Monitoring

EB250 - Dual monitoring

Door position switch/bolt position switch

EB250KO - Triple monitoring

Door position switch/bolt position switch/key position switch



Maintained Key Override (EB250KO only)

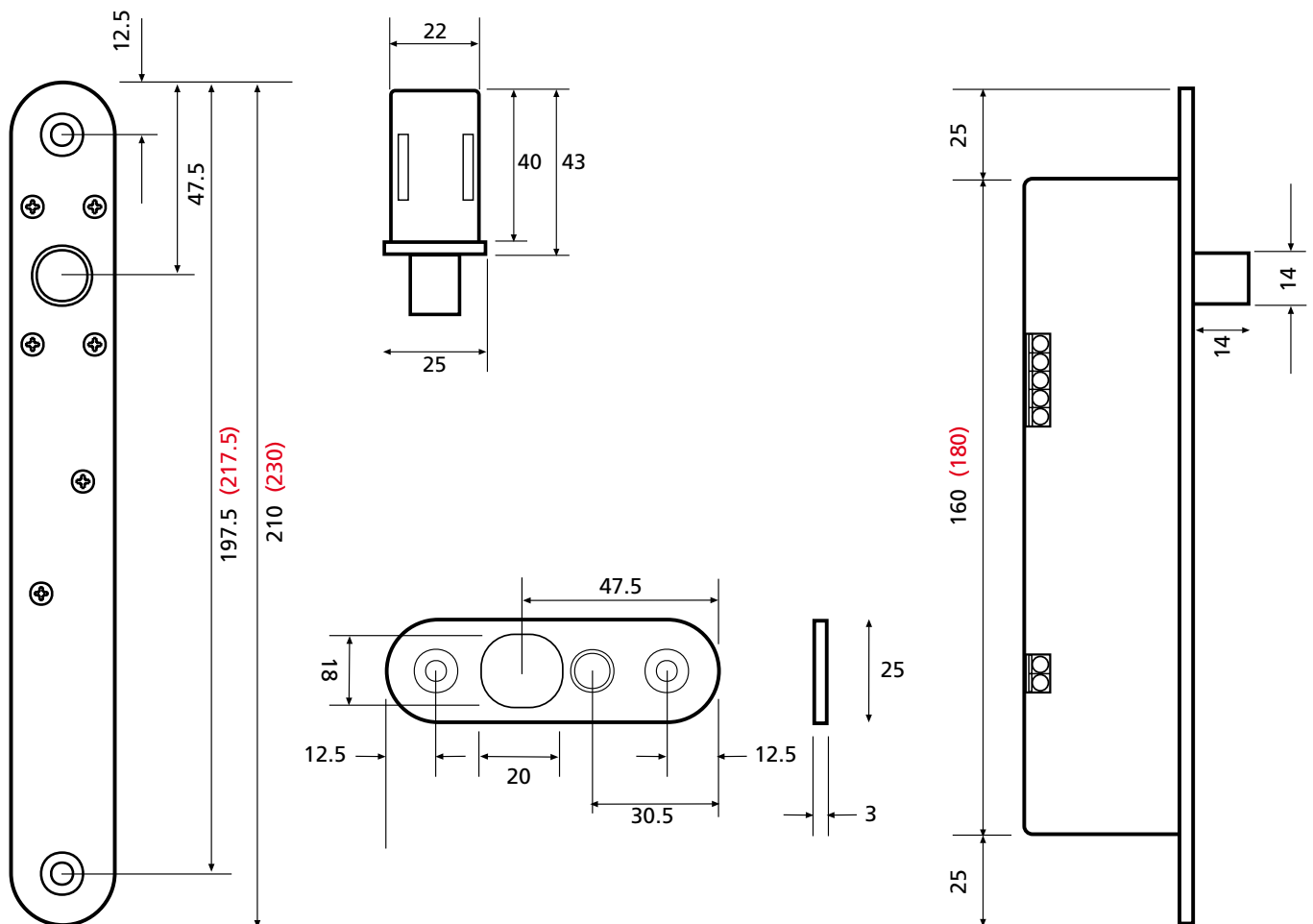
Using standard Euro profile cylinder case pierced both sides for operation either side.

DESCRIPTION	FUNCTION	CODE
12-24VDC Radius Cover Faceplate	Fail Safe/PTL	EB-250/PTL
12-24VDC Key Override Radius Cover Faceplate	Fail Secure/PTO	EB-250KO/PTO

ACCESSORIES	
Glass mounting bracket for EB250 (frameless door)	EB-250/GMB
Glass SMK dress plates (2) for EB250	EB-250/SMK-DP
Short strike plate with square hole for EB250	EB-250/SHORT
Surface mounting kit for EB250 (Stainless Steel)	EB-250/SMH-KIT
Short strike plate with square hole for EB250KO	EB-250KO/SHORT

Dimensional drawings shown are for the EB250

Dimensions for EB250KO model are shown in red where different.



deadlocking bolt

Slimline - DB25

The Alpro DB25 incorporates the latest design innovations to be applied to the manufacture of a transverse action Deadlocking Solenoid Bolt. This Ultra-slim design enables fixing into very narrow sections whilst an advanced microprocessor module provides power reduction allowing for continuous operation without heat generation as well as automatic voltage regulation, dual monitoring and access control features.

High Physical Security

Holding force 1,000kg - automatic deadlocking
Bolt throw 16mm

Robust Construction

All stainless steel bolt of 12.7mm diameter, linkages and springs. 3mm stainless steel faceplate and strike plates with fully enclosed mechanism.

Versatile Installation

Designed to provide concealed high security locking on any single or double action, hinged or sliding door in timber or metal for vertical or horizontal mounting.

Slimline Dimensions

210mm(L) x 25mm(W) x 42mm(D)
Back box 164mm(L) x 22mm(W) x 39mm(D)

Faceplates

Radius

Multiple Voltage Input

Any voltage from 12v DC -10% to 24v DC +15%. Complete with built in transient and reverse polarity protection and continuously rated solenoid.

Low Current Consumption

Volts	Current - Activate	Current - Hold (after 200ms)
12v DC	1100mA	210mA
24v DC	1000mA	90mA

Dual Monitoring

Bolt and Door position switches



DB38 - 38mm deadlocking bolt is also available

Built-in Access Control Module

Automatic unlock period - 8 seconds
Multiple auto relock function - PTL
Multiple unlock function - PTO

Accessories

Stainless steel surface mount kit

Approvals

CE - BS EN 50081-1 and BS EN 50082-1

Ordering Information/Specifications

Built-in Access Control Module

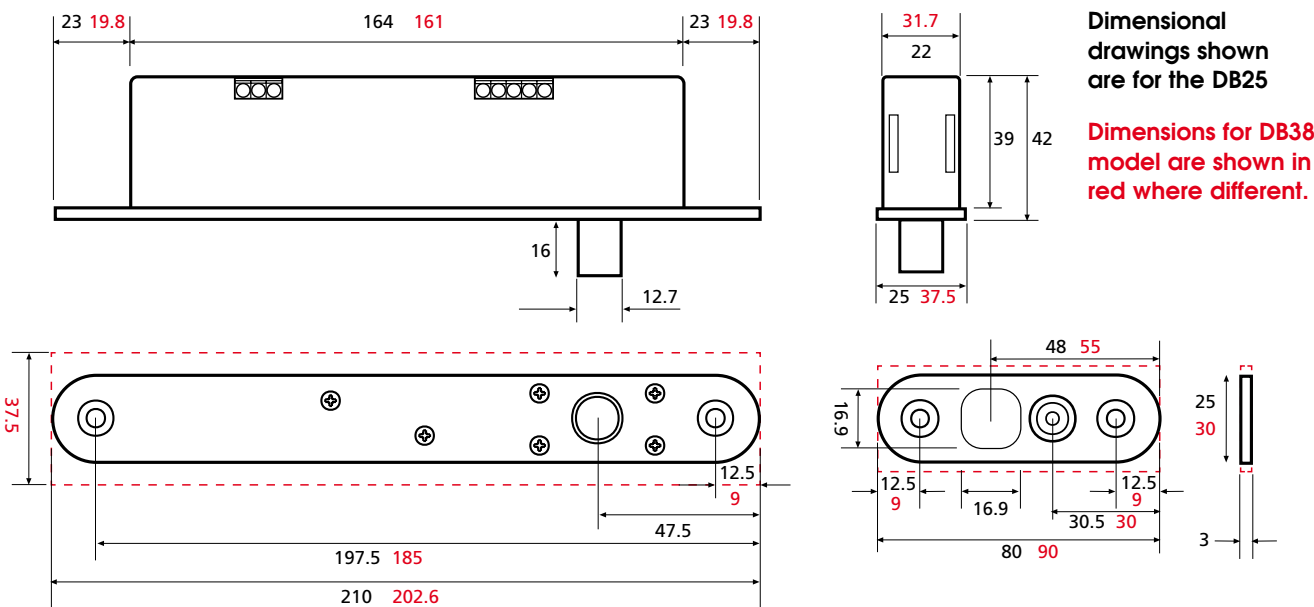
Automatic unlock period - a fixed 8 second period operates once the bolt is signalled to unlock. This enables traffic exiting 8 seconds in which to open the door before it automatically relocks. See Anti-Tailgate.

Multiple auto relock function - when relocking the bolt makes 8 locking attempts over 16 seconds. Change in the Bolt Position Switch status indicates that the door has been locked. Fail open models only.

Multiple unlock - in fail secure mode - 5 attempts to unlock door at 1.6 second intervals.

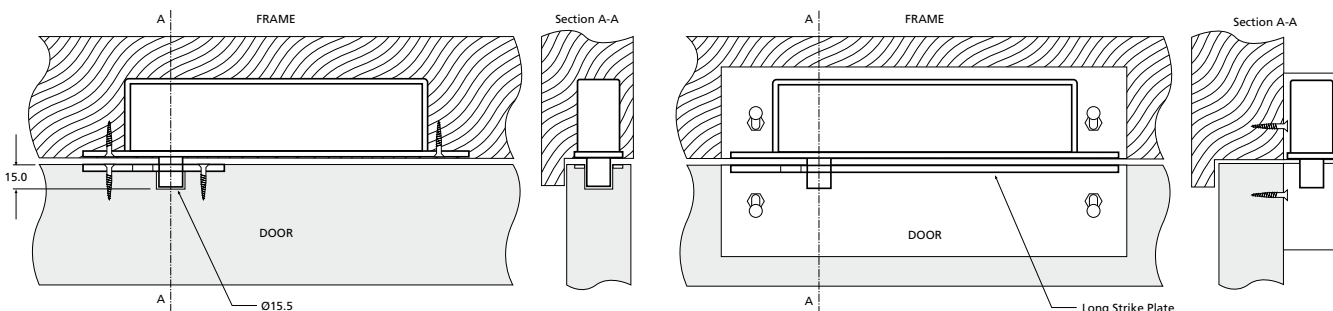
Anti-Tailgate - once the door has been pushed open and closed during the 8 second unlock period, the bolt will immediately relock.

DESCRIPTION	FUNCTION	CODE	FUNCTION	CODE
Slimline Solenoid Bolt 12/24v DC	Fail Open - Power to Lock	DB25 PTLOCK	Fail Secure - Power to Open	DB25 PTOPEN
Solenoid Bolt 38mm faceplate 12/24v DC	Fail Open - Power to Lock	DB38 PTLOCK	Fail Secure - Power to Open	DB38 PTOPEN
ACCESSORIES	FINISH	CODE		
Surface Mounting Kit	Stainless steel	DB25/SMH-KIT		



Normal fixing

Surface mount kit - stainless steel



Housing dimensions 225mm(L) x 27.4mm(W) x 46.5mm(D) for DB25

deadlocking bolt

Slimline - Key Override DB25KO

The Alpro DB25KO key override model offers the same functionality as the standard DB25 with provision for a Euro profile cylinder as a means of mechanical override. The ultra-slim design of the DB25KO enables fixing into very narrow sections. An advanced microprocessor module provides power reduction allowing continuous operation without heat generation as well as automatic voltage regulation, dual monitoring and access control features.

High Physical Security

Holding force 1,000kg - automatic deadlocking
Bolt throw 16mm

Robust Construction

All stainless steel bolt of 12.7mm diameter, linkages and springs. 3mm stainless steel faceplate and strike plates with fully enclosed mechanism.

Maintained Key Override

Using standard Euro profile cylinder case pierced both sides for operation either side.

Versatile Installation

Designed to provide concealed high security locking on any single or double action, hinged or sliding door in timber or metal for vertical or horizontal mounting.

Slimline Dimensions

280mm(L) x 25mm(W) x 42mm(D)

Back box 230mm(L) x 22mm(W) x 42mm(D)

Faceplates

Radius

Multiple Voltage Input

Any voltage from 12v DC -10% to 24v DC +15%. Complete with built in transient and reverse polarity protection and continuously rated solenoid.

Low Current Consumption

Volts	Current - Activate	Current - Hold (after 200ms)
12v DC	1100mA	210mA
24v DC	1000mA	90mA



Triple Monitoring

Bolt, Door and Key position switches

Built-in Access Control Module

Automatic unlock period - 8 seconds

Multiple auto relock function - PTL - 8 times

Multiple unlock function - PTO - 5 times

Accessories

Stainless steel surface mount kit

Approvals

CE - BS EN 50081-1 and BS EN 50082-1

Built-in Access Control Module

Automatic unlock period - a fixed 8 second period operates once the bolt is signalled to unlock. This enables traffic exiting 8 seconds in which to open the door before it automatically relocks. See Anti-Tailgate.

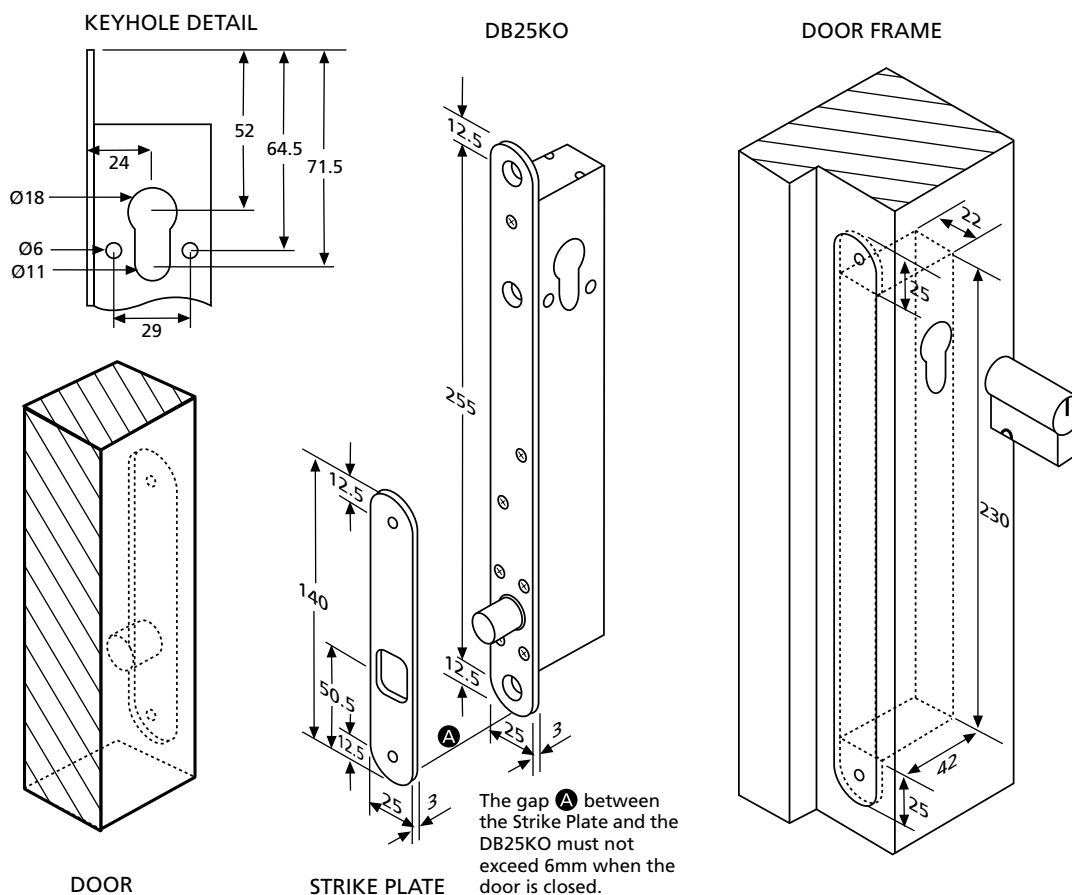
Multiple auto relock function - when relocking the bolt makes 8 locking attempts over 16 seconds. Change in the Bolt Position Switch status indicates that the door has been locked. Fail open models only.

Multiple unlock - in fail secure mode - 5 attempts to unlock door at 1.6 second intervals.

Anti-Tailgate - once the door has been pushed open and closed during the 8 second unlock period, the bolt will immediately relock.

DESCRIPTION	FUNCTION	CODE
12/24v DC	Fail Open - Power to Lock	DB25KO PTLOCK
12/24v DC	Fail Secure - Power to Open	DB25KO PTOPE

ACCESSORIES	CODE
Surface Mounting Kit - Surface Mount Housing/Surface Mount Strike Box/Long Strike Plate (stainless steel)	DB25KO/SMH-KIT
Extras for glass applications - Kit comprises 2 stainless steel Dress Plates	DB25KO/SMK-DP
Long Strike Plate - Replacement	DB25KO/LONG
Half Euro Profile Cylinder Keyed Alike 40mm	5224
Half Euro Profile Cylinder Keyed Differ 40mm	5222



Housing dimensions: 295mm (L) x 47mm (H) x 28.5mm (W)

deadlocking latching bolt

DB25L

The Alpro DB25L incorporates a unique latching device that is a world first in electronic deadbolts. Door alignment problems vanish with the innovative design which ensures the correct positioning of the lock and strike every time. Incorporating access control functions, two monitors and the highest quality componentry.

Dual Action

Magnetic latch on strike plate to capture the door Deadbolt to secure the door

High Physical Security

Holding force 1,000kg - automatic deadlocking
Bolt throw 16mm

Versatile Installation

Designed to provide concealed high security locking on any single or double action, hinged or sliding door in timber or metal for vertical or horizontal mounting.

Slimline Dimensions

210mm(L) x 25mm(W) x 42mm(D)
Back box 164mm(L) x 22mm(W) x 39mm(D)

Faceplates

Radius

Multiple Voltage Input

Any voltage from 12v DC -10% to 24v DC +15%.
Complete with built in transient and reverse polarity protection and continuously rated solenoid.

Low Current Consumption

Volts	Current - Activate	Current - Hold (after 200ms)
12v DC	1100mA	160mA
24v DC	1000mA	90mA

Dual Monitoring

Bolt and Door position switches

Built-in Access Control Module

Automatic unlock period - 8 seconds
Multiple auto relock function - PTL
Multiple unlock function - PTO

Accessories

Stainless steel surface mounting kit

Approvals

CE - BS EN 50081-1 and BS EN 50082-1



Built-in Access Control Module

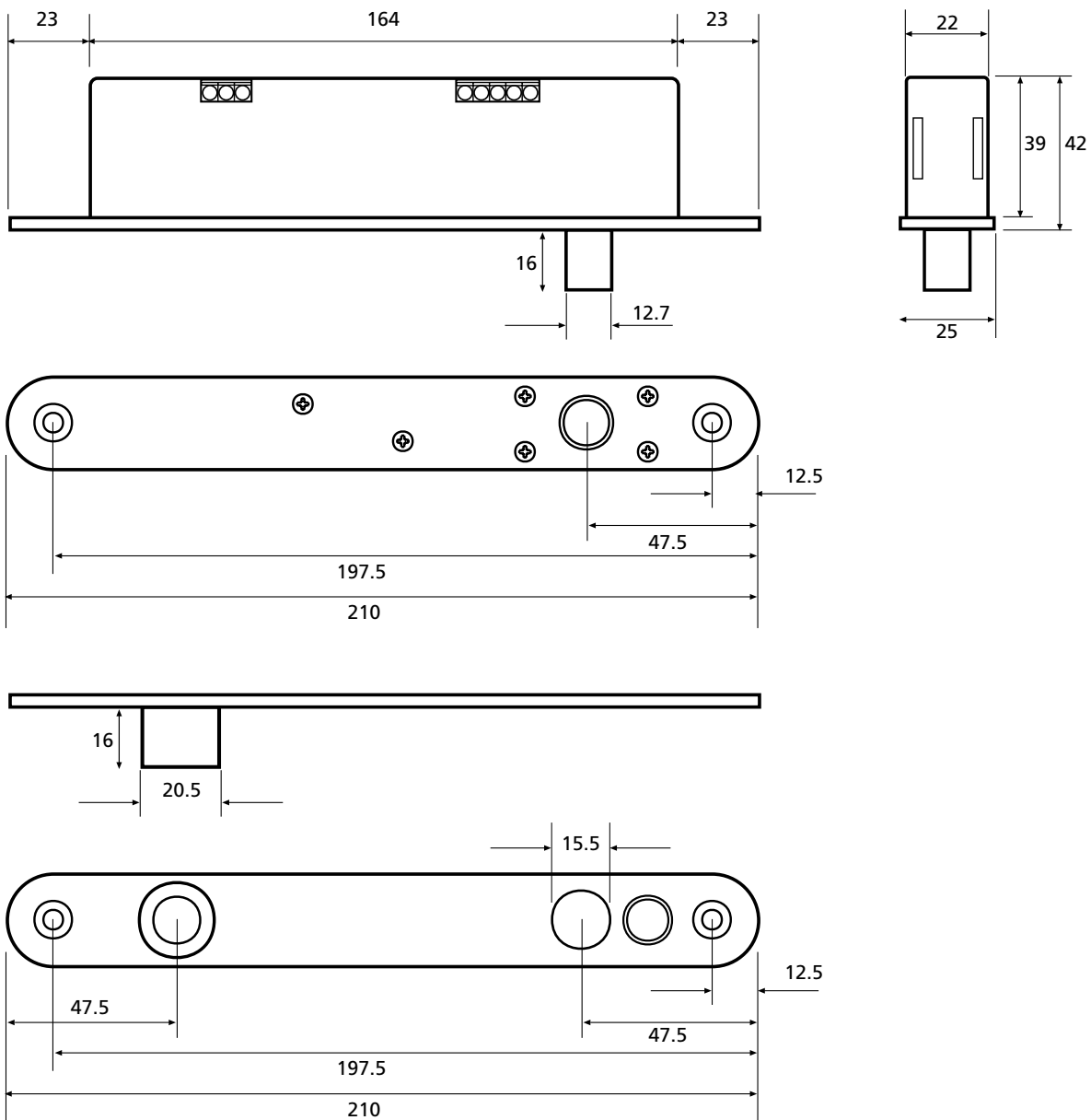
Selectable unlock period - a field selectable timer operates once the bolt is signalled to unlock. This enables traffic exiting 0, 3, 6 or 9 seconds in which to open the door before it automatically relocks. See Anti-Tailgate.

Multiple auto relock function - when relocking the bolt makes 9 locking attempts over 18 seconds. Change in the bolt position switch status indicates that the door has been locked. Fail open models only.

Multiple unlock - in fail secure mode - 5 attempts to unlock door at 2 second intervals.

Anti-Tailgate - once the door has been pushed open and closed during the chosen unlock period, the bolt will immediately relock.

DESCRIPTION	FUNCTION	CODE
Deadlocking Bolt with Latch 12-24v DC - 25mm wide radius cornered faceplate including long strike plate with square hole.	Fail Open - Power to Lock	DB25L/PTLOCK



electric mini bolt

EB501



The Alpro EB501 Electric Mini Bolt allows for remote access and exit control of most timber and metal doors. Suitable for sliding or swing, single and double action operations. It can be fitted in the frame or in the door and is also suitable for narrow profile joinery cabinets and showcases

Function

Fail Open/Power to Lock

Construction

Stainless steel bolt (12mm diameter and throw) and strike plate provide secure locking.

Electrical Features

Voltage 12v DC±15%
 Activating current 700mA
 Holding current 100mA
 Continuously rated solenoid
 Fully protected against transient & reverse polarity

Versatile Installation

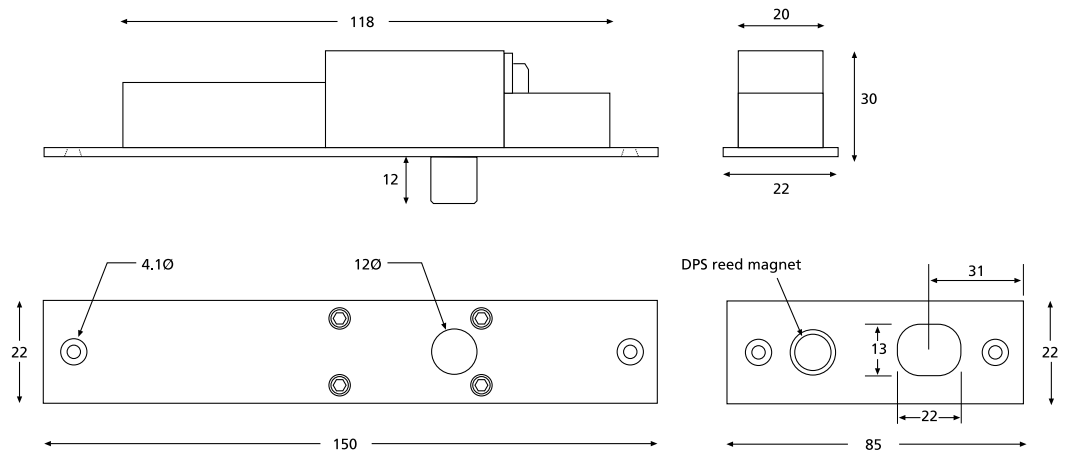
Designed to provide concealed high security locking on any single or double action, hinged or sliding door in timber or metal for vertical or horizontal mounting. Also suitable for cabinets and showcases

Monitoring

Door position switch.

Auto Relock Function

Can be set for 0,3,6 or 9 seconds



Ordering Information/Specifications

DESCRIPTION	FUNCTION	CODE
Electric Mini Bolt	Fail Open- Power to Lock Monitored	EB501-22

cabinet locks

ACL200



This compact rugged cabinet lock is designed to be fitted in display cases, cabinets and lockers with either swing or sliding doors requiring electronic control and where keys are not a practicable solution.

The innovative design enables the lock to be fitted vertically or horizontally whilst receiving the striker plate from the front, side or slide entry positions.

Offering maximum flexibility and alignment adjustment whilst maintaining an excellent level of security for its size.

Stainless Steel Striker

Holding >250Kg

Flexible Alignment

Has 5mm vertical/horizontal adjustment after installation

Power consumption

180 mA - 12v DC continuous (+/- 15%)

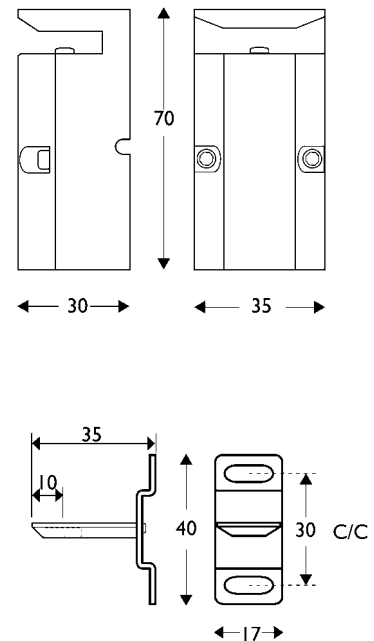
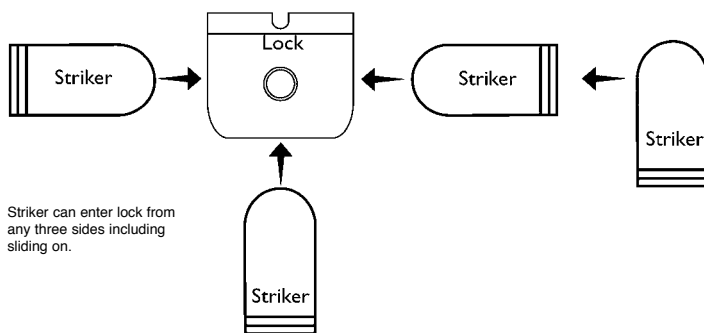
90 mA - 24v DC continuous (+/- 15%)

Compact case size

70mm (H) x 35mm (W) x 30mm (D)

Approvals

CE Approved



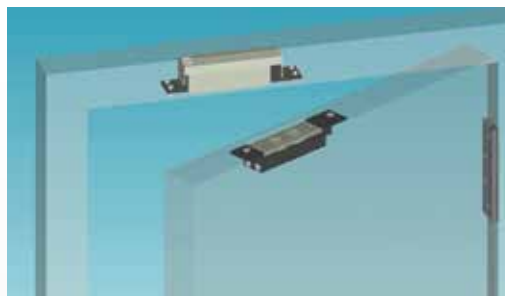
Ordering Information/Specifications

DESCRIPTION	FUNCTION	CODE
12v DC	Fail Open - Power To Lock	ACL212 PTL
12v DC	Fail Secure- Power To Open	ACL212 PTO
24v DC	Fail Open - Power To Lock	ACL224 PTL
24v DC	Fail Secure- Power To Open	ACL224 PTO

compact shearlock

EMS1200

The Alpro EMS1200 Compact Shearlock is available in Mortice or Surface Mount models (inc. Glass Mount) and offer slimline dimensions whilst maintaining a holding force in shear of 1200kg. Other benefits include built in PCB controller with switch selectable features and plug in 3 metre flying leads.



High Physical Security

Shear Holding Force 1200kg

Models

Mortice and Surface Mount
Model
230mm (L) x 51mm (W) x
51mm (D)

Compact Design

Magnet - 163mm (L) x 30mm
(W) x 35mm (D)
Armature - 163mm (L) x 30mm (W)
x 32mm (D)

Specification

Built in PCB Controller
Switch selectable adjustable time delay
0-30 secs
Misalignment - Multiple auto relock x100
3 metre flying leads

Fully Monitored Hall Effect

Max 24v DC@1 amp
Door Position Switch

Versatile Installation

Single or Double Action Doors
Mortice / Surface / Glass Mount

IMPORTANT NOTE:

**THE EMS1200 COMPACT SHEARLOCK IS NOT
SUITABLE FOR VERTICAL INSTALLATION**

Multiple Voltage Input

Any voltage from 12v DC -10% to 24v DC +15%.
Complete with built in transient and reverse
polarity protection and continuously rated
solenoid.



Current Consumption

Volts	Current - Activate	Current - Hold
12v DC	1150mA	290mA
24v DC	1550mA	160mA

Max Armature Pull In

12v DC - 4mm
24v DC - 5mm

Accessories

For use with Surface Mount Housings
Aluminium Glass Mount Bracket suitable for
10-12mm Glass, 230mm (L) x 30mm (W) x 45mm (D)
Filler Plates, 225mm (L) x 1/2/6mm (W) x 38mm (D)

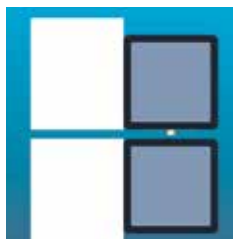
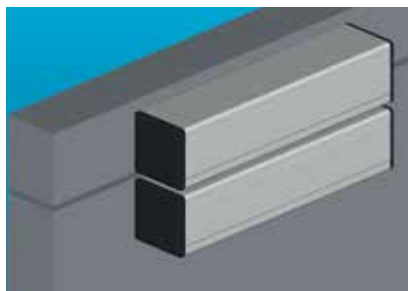
CE Approved

Cycle Tested

SGS - 500k operations

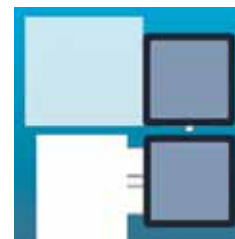
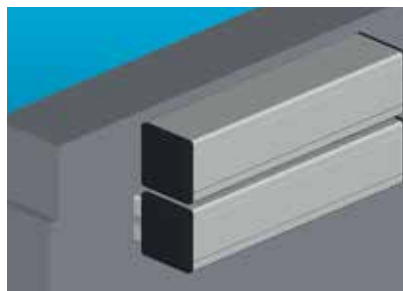
DESCRIPTION	CODE
Mortice Shearlock -12/24v DC Door position Switch - Monitored complete with on board PCB/Plug in 3m flying leads	EMS 1200M
Surface Mount Shearlock as above complete with Surface Mount Housings x2	EMS 1200S
Mortice Shearlock as above complete with Surface Mount Housings x1	EMS 1200SM
Accessories	
Aluminium Frameless Glass (10/12mm) Door Clamp for use with EMS 1200S, One per Surface Mount Housing e.g. 2 required for use with EMS 1200S	GDC 1200
1 required for use with EMS 1200MS	FP 1200 - 1
Aluminium Filler Plate 1mm thick x1	FP 1200 - 2
Aluminium Filler Plate 2mm thick x1	FP 1200 - 2
Aluminium Filler Plate 6mm thick x1	FP 1200 - 6
Regulated PSU/Back Up Battery	
12v 2Amp Power Supply Unit	IECPSU12V2AMP
24v 2Amp Power Supply Unit	IECPSU24V2AMP
Regulated PSU required for correct operation	
Independent DPS (Door Position Switch) required for steel door applications	
Suitable positive centring closer required on double action doors	

Metal door to metal frame - flush



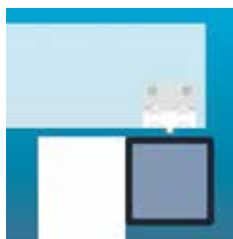
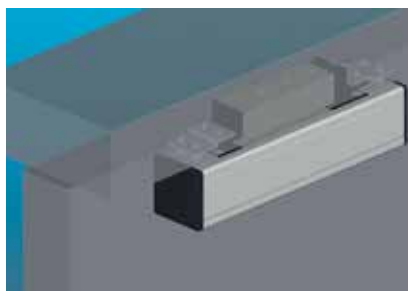
Side View

Metal door to metal frame - offset



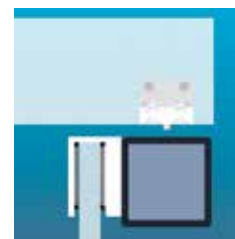
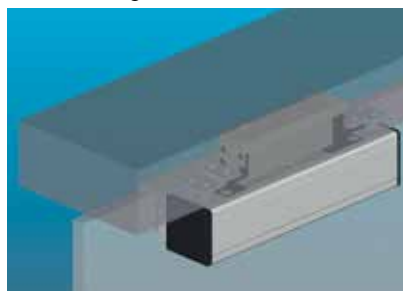
Side View

Metal door to metal frame



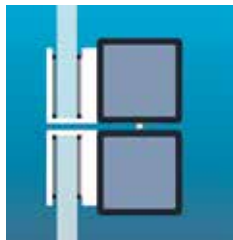
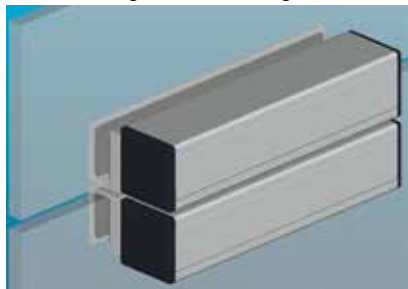
Side View

Frameless glass door to metal frame, Armature surface.



Side View

Frameless glass door to glass



Side View

SM 1200



GDC 1200



FP 1200-1/2/6



surface door magnet

AL2400LP

Alpro's Vortex 2400 compact door magnet is a unique magnet with patented inbuilt technology ensuring improved performance and reliability and a real alternative to standard face to face magnets. Complete with a conical aperture to receive a strong alloy pin the unit embodies both magnetic and mechanical holding force. Independently tested to 1500kg, the holding force is 400% stronger, the body size is 75% smaller, power consumption is 50% lower and there is 75% less material used in the manufacturing processes making the Vortex greener and more environmentally friendly than its competitors. Complete with built in LED and dual monitoring.



High Physical Security

Holding force 1,500kg

Releases under Side Load Pressure

Magnet will release with up to 100kg of side load pressure when the power is removed

Weight

450g

Slimline Dimensions

218mm(L) x 35mm(W) x 30mm(D)

Multiple Voltage Input

Any voltage from 12vDC to 24vDC

Low Current Consumption

Volts	Current
12v DC	240mA
24v DC	120mA

Dual Monitoring

Locking and door position

Early Warning Alarm EW Technology

Magnets are fitted with EW pressure sensors able to send an alarm before access forced open. Also fitted with buzzer.

VORTEX®

Surface Mounting for easy retrofit

Armature Plate Security Bracket

No residual magnetism

Accessories

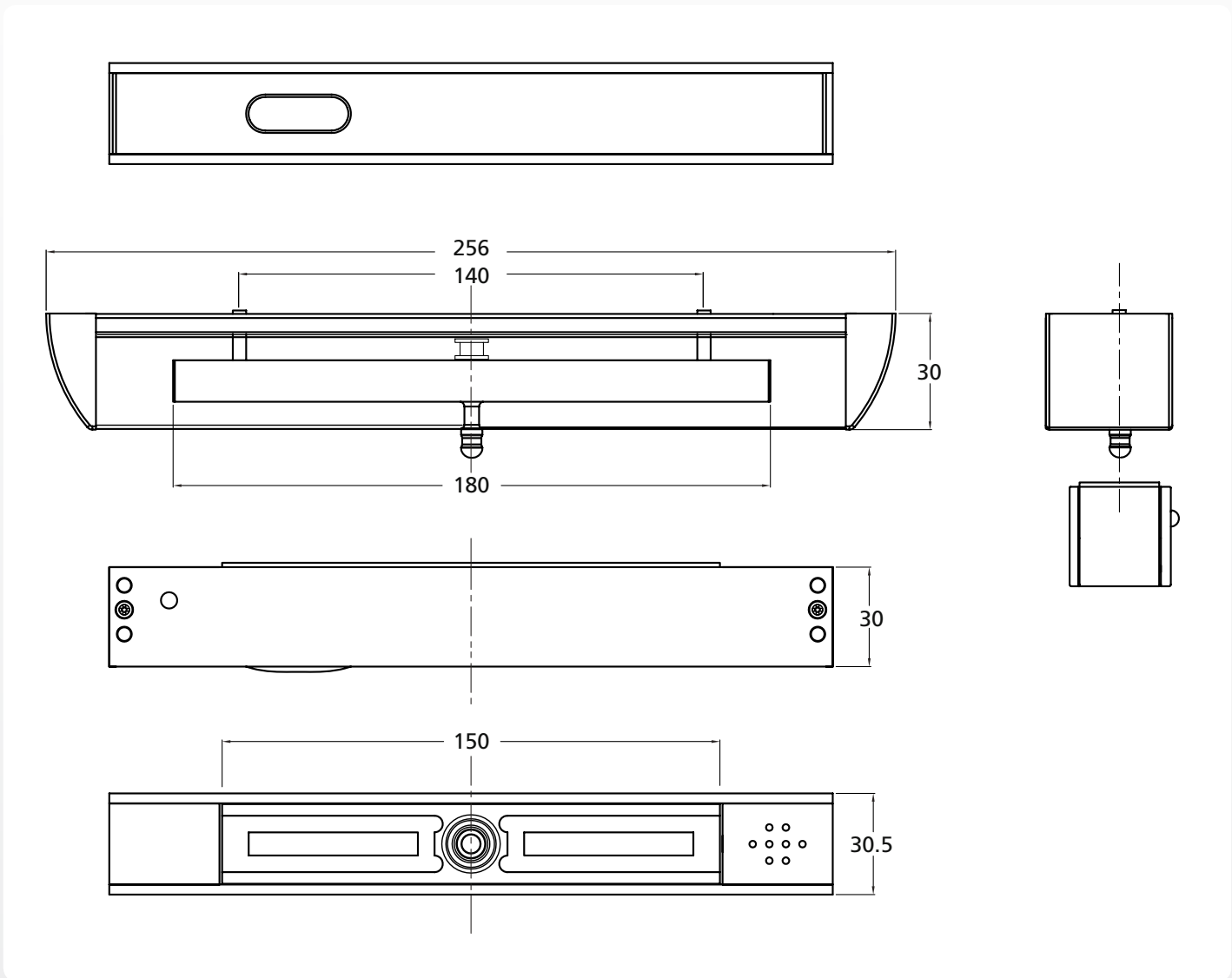
L & Z brackets

Glass door bracket

Patented

DESCRIPTION	FINISH	CODE
Surface mounted magnet, Secure armature – LED – 12/24vDC	Satin Anodised	AL2400-LP

ACCESSORIES	FINISH	CODE
L bracket for 2400 model	Satin Anodised	ALAMLB2400
L&Z brackets for 2400 model	Satin Anodised	ALAMZB2400
Glass door bracket for 2400 model	Satin Anodised	ALUGB2400-10/12



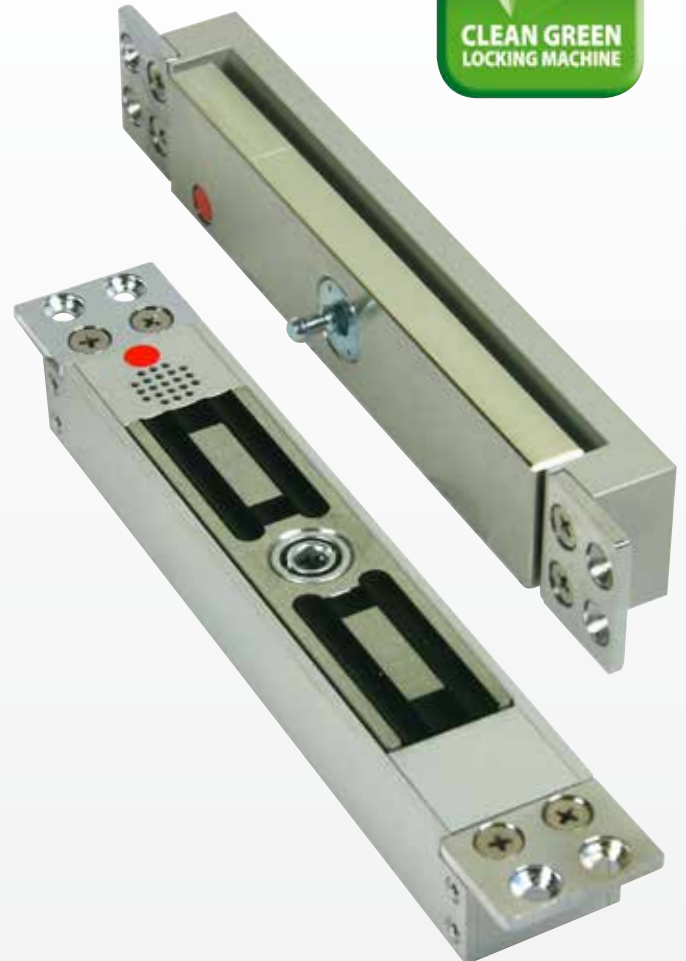
mortice door magnet

AL1982-35.5

The Alpro 1982.35.5 Vortex magnet is designed for use when a mortice type installation is required.

When external pressure is applied to open the magnet and break the hold of the unit, the pivoting pin head fitted into the electro magnet holes will initiate an additional locking from the upward movement of the integrated ball bearings which hold the pivoting pin head on the armature plate securely. When the power is disengaged from the magnet, it releases its hold on the armature plate and it returns to its normal state.

The unit requires a filtered and regulated DC power supply of the correct voltage to ensure the attraction of the armature plate is initiated. The unit operates on 12/24vDC and is complete with two built in SPST reed switch sensors for remote lock monitoring status and remote door monitoring status. The overall holding force of the unit is 1500Kgs.



High Holding Force

Holding force 1,500Kg

Releases under Side Load Pressure

Magnet will release with up to 100Kg of side load pressure when the power is removed

Weight

1.3Kg

Magnet Body Dimensions

226mm(L) x 35.5mm(W) x 26.5mm(D)

Armature Plate (including bracket) Dimensions

226mm(L) x 35.5mm(W) x 25.7mm(D)

Multiple Voltage Input

Any voltage from 12vDC to 24vDC

Low Current Consumption

Volts	Current
12v DC	240mA
24v DC	120mA

Dual Monitoring

Locking and door position

Early Warning Alarm EW Technology

Magnets are fitted with EW pressure sensors able to send an alarm before access is gained. Also fitted with buzzer.

VORTEX[®]

Built-in MOV Surge Protection

Mortice mounting for concealed installation

Armature plate security bracket

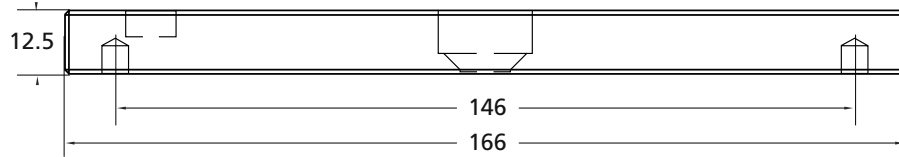
No residual magnetism

ISO and TÜV tested

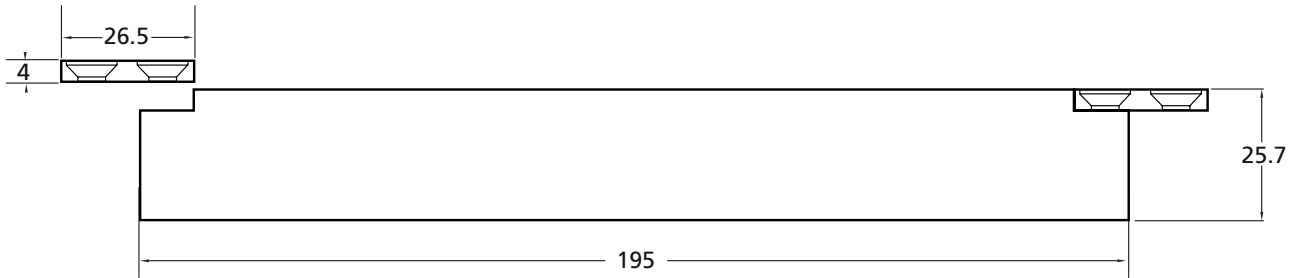
Patented

DESCRIPTION	FINISH	CODE
Small mortice mounted magnet - 12/24vDCC	Satin Anodised	AL1982-35.5

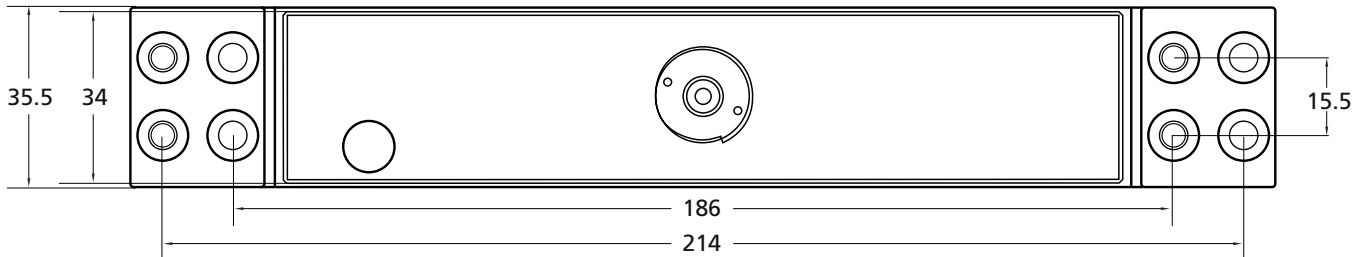
Armature plate



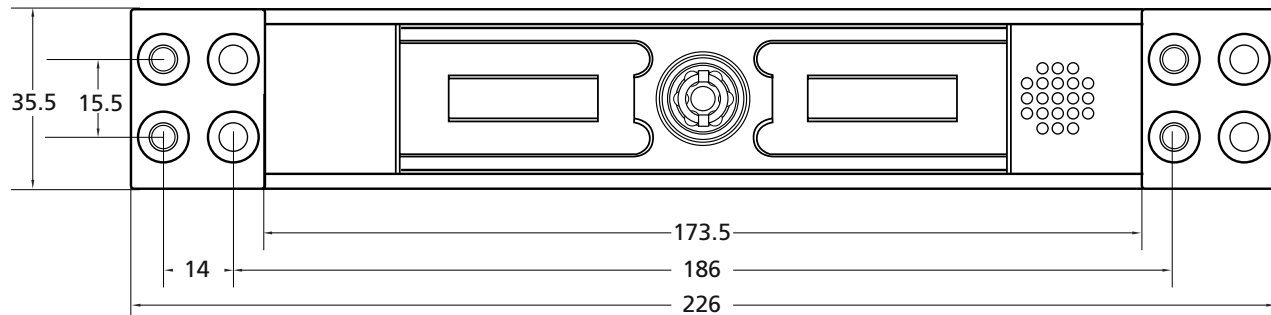
Armature plate including bracket (side view)



Armature plate including bracket



Magnet



automatic door magnet

AL4400

Alpro's patented AL4400 mechanical electro magnet is specifically designed for securing sliding door mechanisms both automatic and mechanical. The holding force of the magnet will depend on its fitting arrangement, but in test the average holding force has been shown to be 680Kgs. The installation is simple and the unit provides an additional and reliable locking solution which is superior to traditional electromechanical locking devices. The AL4400 can also be supplied with the necessary mounting accessories usually required by door manufacturers. The units operate on a 12v/24vDC power supply.



High Holding Force

Holding force 680Kg

Weight

400g

Slimline Dimensions

44mm (L) x 30mm (W) x 16.5mm (H)

Multiple Voltage Input

12vDC/24vDC

Low Current Consumption

260mA

Early Warning Alarm EW Technology

Magnets are fitted with EW pressure sensors able to send an alarm before access forced open.

Built-in MOV Surge Protection

Surface mounting for easy retrofit

Armature plate security bracket

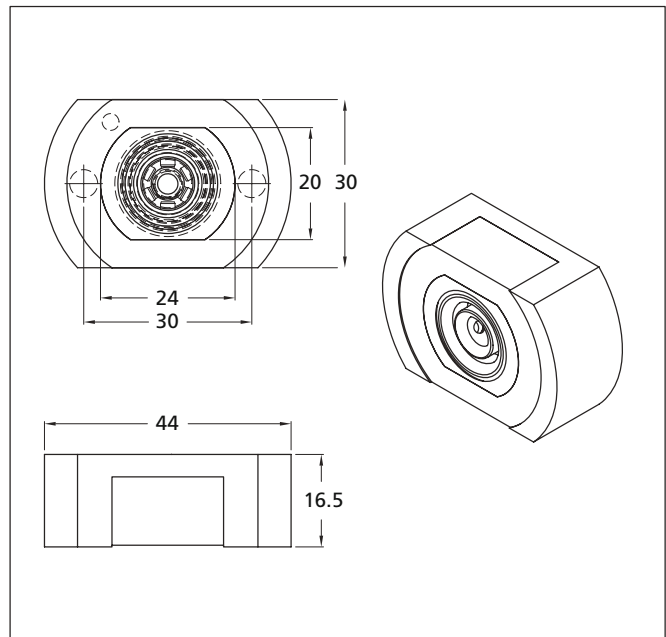
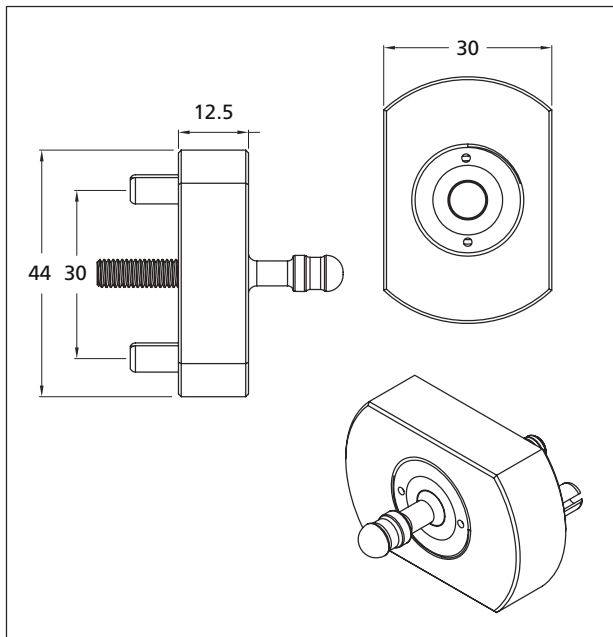
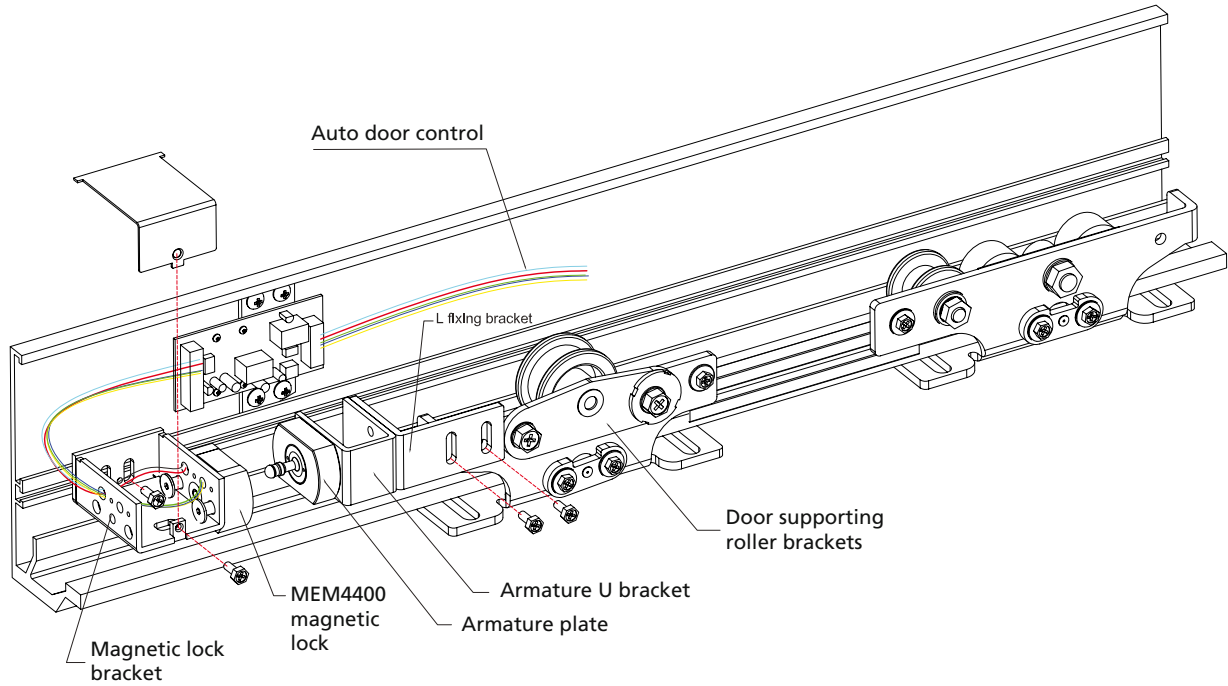
No residual magnetism

ISO and TÜV tested

PatentedPatented

VORTEX[®]

DESCRIPTION	FINISH	CODE
Automatic door magnet - 12VDC/24VDC	Satin Anodised	AL4400



locks

Magnets

Functionality

Magnets can be used to facilitate access and exit control systems for a variety of aluminium, timber and steel doors. The magnets embody clean aesthetic looks with the ability to maintain a holding force of 250kgs (550lbs), offers low maintenance, and ease of installation. They provide positive fail safe operation (unless battery back up is available) at all times. Suitable for both inward and outward opening doors.



250kg Mini Magnets

Specification

Single magnet	25mm x 250mm x 42mm
Double magnet	25mm x 500mm x 42mm
Armature plate	160mm x 36mm x 11mm (x 2 for double magnet)
Holding force	250kgs (550lbs) (x 2 for double magnet)

500kg Magnets

Specification

Single magnet	40mm x 266mm x 73mm
Double magnet	40mm x 532mm x 73mm
Armature plate	160mm x 61mm x 16mm (x 2 for double magnet)
Holding force	510kgs (1120lbs) (x 2 for double magnet)

General Specification

Supply voltage	Dual voltage 12 or 24vDC (Dual coil). Nominal +/- 10%
Nominal current	500mA @ 12vDC, 250mA @ 24vDC Built in voltage spike suppressor
Monitoring	Relay with dry contact integral LED
Door Gaps	Maximum 3mm
Positioning	Outward opening - surface mounted to door header transom bar. Inward opening - door frame transom bar using L & Z brackets

Magnet housing Brushed Satin Aluminium

Please note: To ensure immediate release, it is important that the release switch breaks the circuit between the power supply and the magnet



Adjustable L Bracket
30mm x 250mm x 48mm



L & Z Bracket
30mm x 250mm x 48mm
(adjustable and standard L brackets)



L & Z Bracket
30mm x 250mm x 48mm
50mm x 160mm x 50mm (adjustable plates)

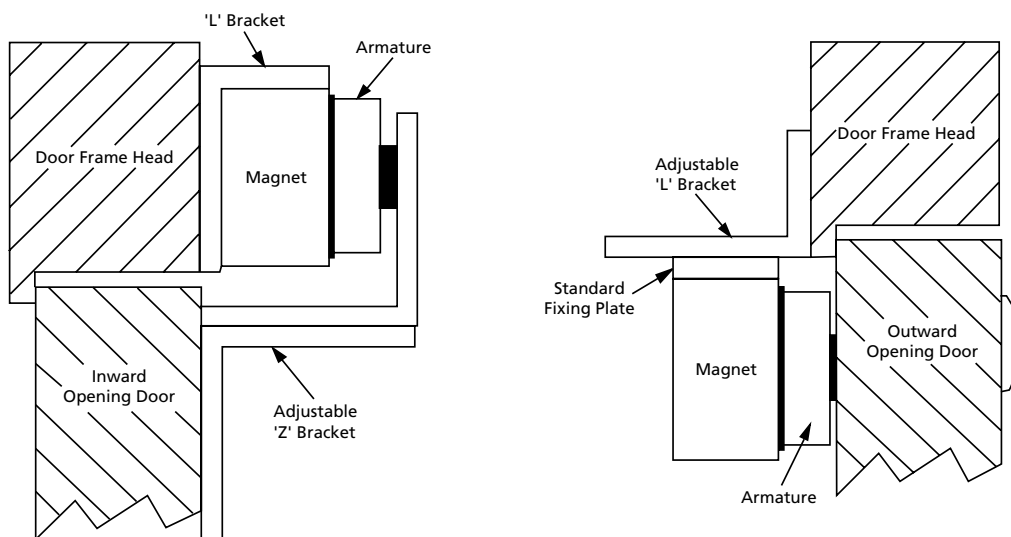
DESCRIPTION	CODE
250kg Mini Magnets	
250kgs mini magnet non monitored	56121
250kgs double mini magnet non monitored	56122
250kgs mini magnet monitored	56111
250kgs double mini magnet monitored	56112
500kg Magnets	
500kgs magnet non monitored	56221
500kgs double magnet non monitored	56222
500kgs magnet monitored	56211
500kgs double magnet monitored	56212

ACCESSORIES

Adjustable L brackets: Suits typical outward opening door applications, where space restrictions do not allow the magnet to be fitted at the head of the door frame. L & Z brackets allow magnets to be used on inward opening door applications.

L bracket for mini magnet	561A
L & Z bracket for mini magnet	562A
L bracket for 500kgs magnet	563A
L & Z bracket for 500kgs magnet	564A

N.B. - 2 brackets required for double magnet



waterproof keypad

AS626

The Alpro Waterproof Keypads are simple to install and user friendly. These aesthetically designed and vandal resistant keypads are suitable for up to 200 users. Slim and secure with no moving parts they are manufactured to highest standards for external or internal use.



No Moving Parts

Solid state Piezo technology

Waterproof – IP68 Certificated

Highest certification available

Slimline Design

44.5mm (W) x 181mm (L) x 12mm (D)

Tamper Resistant

Security plugs provided

Vandal Resistant

One piece solid housing

Variable Length Codes

From 4 to 8 digit codes can be used simultaneously

Electrical Features

2 amp changeover relay
12v AC or 12-24v DC ($\pm 10\%$) power 120mA max

Visual & Audible Feedback

Timeout functions for code entry and programming

Up to 200 User Codes

100 million combinations 4 to 8 digit codes

Non Volatile Memory

Anodized Graphics

Long life - wear resistant

Approvals

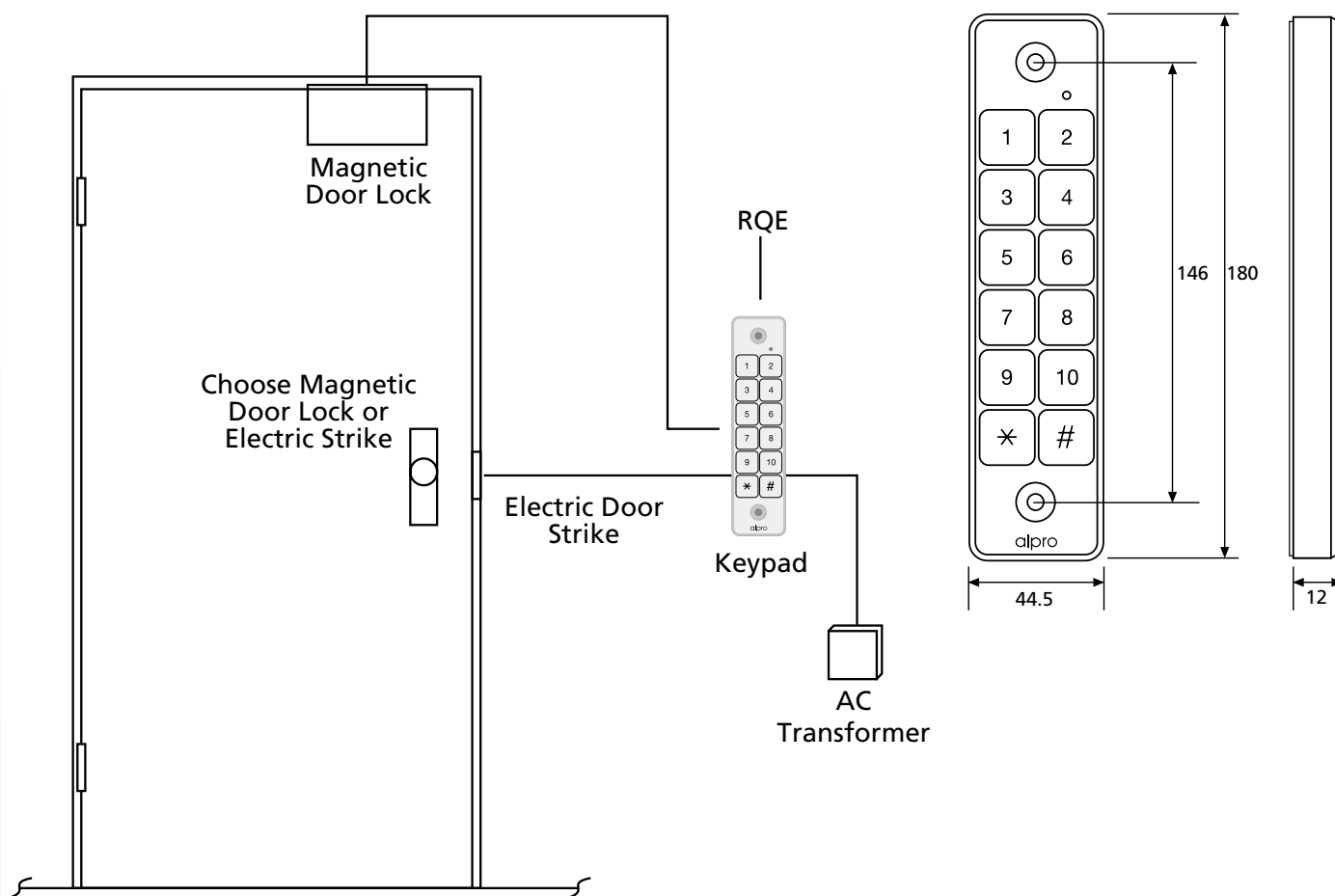
CE and UL



DESCRIPTION	CODE
Self Contained Single Door Access Control - 200 Users Slim Surface Mount, 2x6, 2 LED, Outdoor/Indoor, Bright Aluminium	AS-626S-200/3M
Accessories Cable, replacement, between Keypad and Controller. 3 metres of cable with connectors	AST10CABLE

Self Contained Single Door Access Control - 200 Users

Slim Surface



backlit keypad

AS-ATP2S200

Alpro's new fully sealed polycarbonate Piezo backlit braille keypad is easy to install and user friendly.

This keypad uses the same technology that is found in the existing Alpro vandal proof slim line keypad and provides the ultimate solution for high traffic access control, single door and stand-alone installations.

These vandal resistant keypads are suitable for up to 200 users with no moving parts and are manufactured to highest standards for external and internal use.

No Moving Parts

Solid state Piezo technology

Waterproof – IP68 Certificated

Highest certification available

Backlit Illumination with Braille Facility

Dimensions

112.8mm (H) x 80mm (W) x 28mm (D)

Electrical Features

2 amp changeover relay

12v AC or 12-24v DC ($\pm 10\%$) power 120mA maximum

Working Temperatures

-20°C to +75°C

Tamper & Vandal Resistant

One piece solid housing

Audio & Visual Feedback

Timeout functions for code entry and programming

Variable Length Codes up to 200 User Codes

100 million combination 4 to 8 digit codes which can be used simultaneously

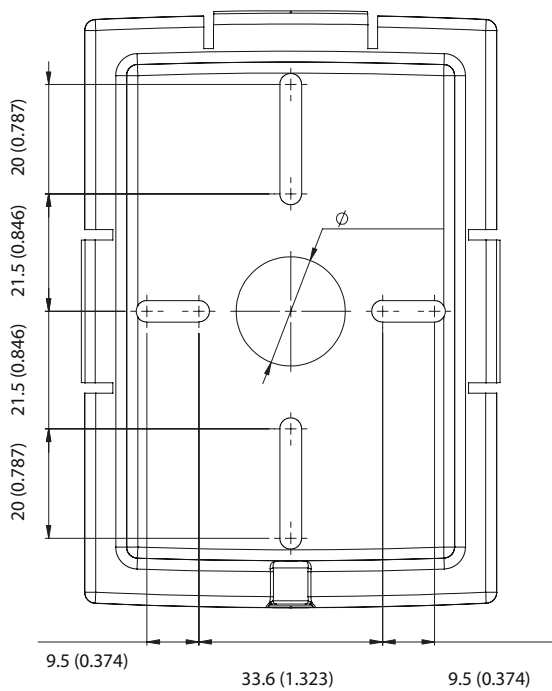
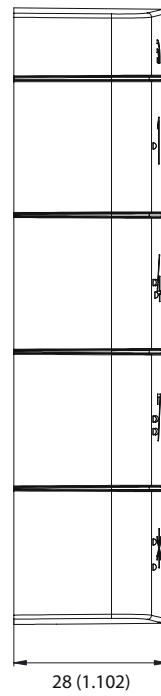
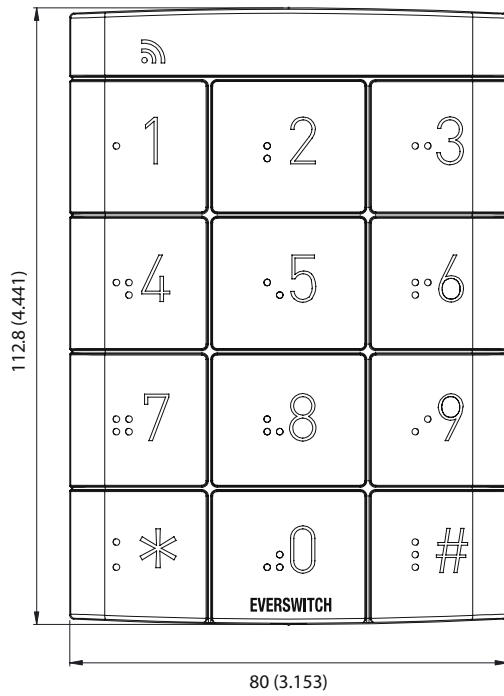
Approvals

CE and UL





DESCRIPTION	FINISH	CODE
Backlit Self Contained Keypad - Surface Mounted	Black Polycarbonate	AS-ATP2S200



waterproof exit switch

IEC06

The Alpro Waterproof Exit Switches are available in Natural Aluminium with two different switch plate sizes – MK 1 gang and Narrow Style for flush or surface mounting. These switches offer fully weatherproofed IP68 functions. Requiring only light pressure to operate they are tested to in excess of 50⁶ cycles.

No Moving Parts

Solid state Piezo technology

Waterproof – IP68 Certificated

Highest certification available

Tamper and Vandal Resistant

Switch Activation Time

One shot 120m sec.

Cycle Tested

50⁶ operations

Electrical Features

Normally open

Max 0.2A @ 24v AC/DC

(1.0A model on request)

Intrinsically Safe

Switches without LED

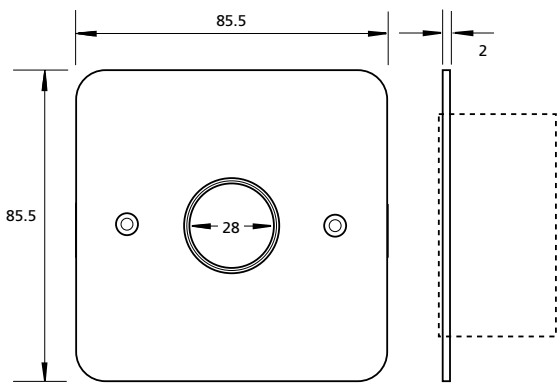
UL certificated

Approvals

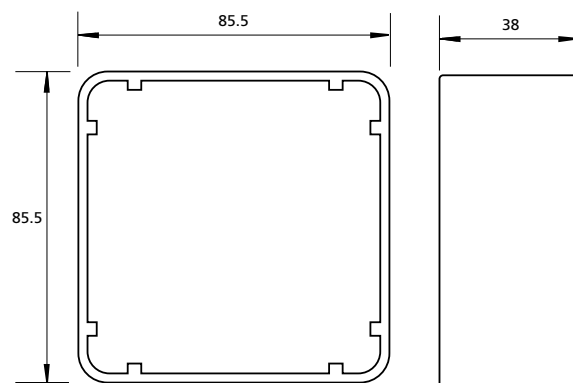
CE and UL



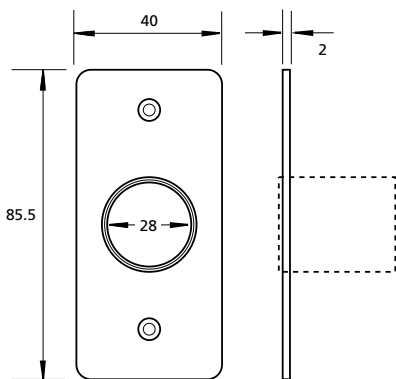
DESCRIPTION	CODE
SMA Switch - Non LED - Intrinsically Safe	
Natural Anodised Exit Switch – MK 1 gang switch plate	IEC06/1N
Natural Anodised Exit Switch – Narrow style switch plate	IEC06/1N/NS
Accessories	
Surface mount housing for MK 1 gang	IEC0610-1
Surface mount housing for Narrow Style	IEC0620-1



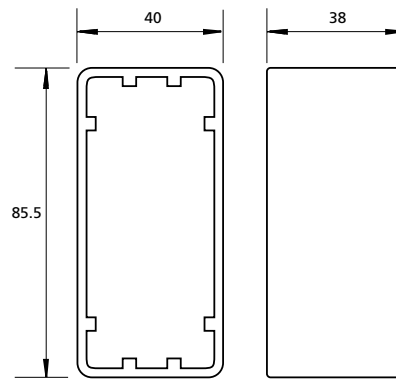
Standard MK1 gang plate dimensions



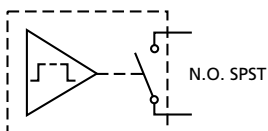
MK1 gang surface housing - brushed aluminium



Narrow style plate dimensions



Narrow style surface housing - brushed aluminium



SMA Switch - Non LED

interlock controller

IB1

2 Door True Interlock Controller

Processor control prevents both doors opening at the same time. Firmware control of all logical functions.

Dual Voltage

12 or 24v DC

High Load Capability

5 Amp double pole change over relay (1 powered output, 1 volt free) NO, NC, C - Per Door.

Flexible Installation

Pluggable terminal blocks
Nylon stick-on mountings supplied

Dual Alarm Output

Selectable door forced or door left open alarm output
1 Amp full changeover relay output.

Dip Switch Controls

Accurate switching for simple and constant door control
0-62 seconds adjustable door open time
0-45 seconds adjustable door alarm delay

Cancels Remaining Door Open Time

On closing of active door, allowing other doors to open

Independent Controls For Each Door

All Inputs and outputs are individual for each door including timer settings and door override inputs

Door Status LED Output

LED output allows remote signal indication to show door status

Engineering LED's

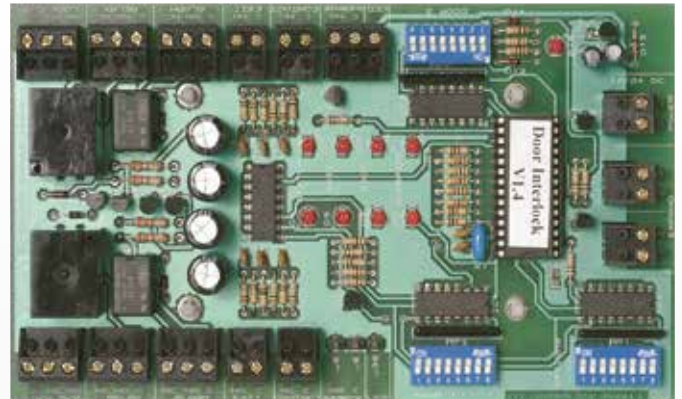
9 LED's allow simple diagnostic testing to be carried out in seconds.

Fully Expandable To Infinite Number Of Doors

Simple cross wire connection allows additional boards to be connected creating a complete interlock system of an infinite number of doors. Simply connect additional IB1 controllers as required.

Locked or Unlocked Modes

Controller will operate in both Secure 'All Doors Locked' mode or Convenience 'All Doors Open' mode to suit all applications.



IB1 PCB only



ALP0654-1NS



ALP0658-1-L-SNS



ALPIB1BUTTON/LEDV2

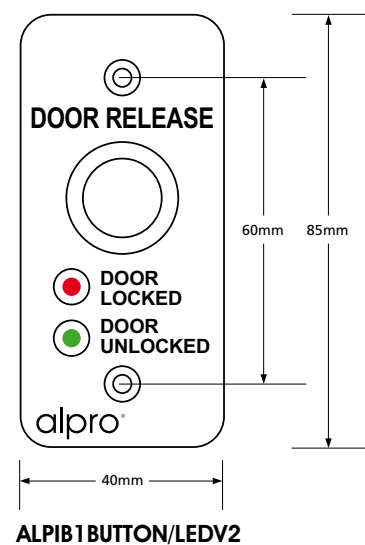
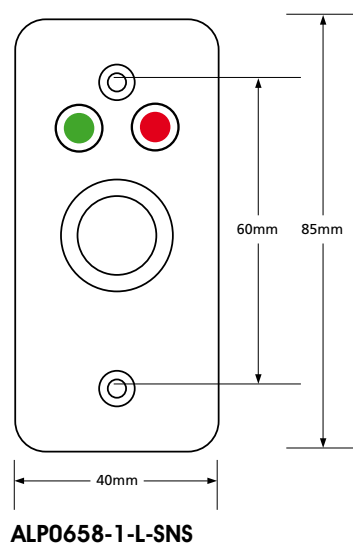
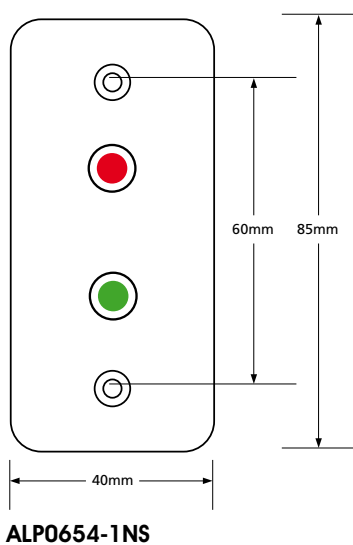
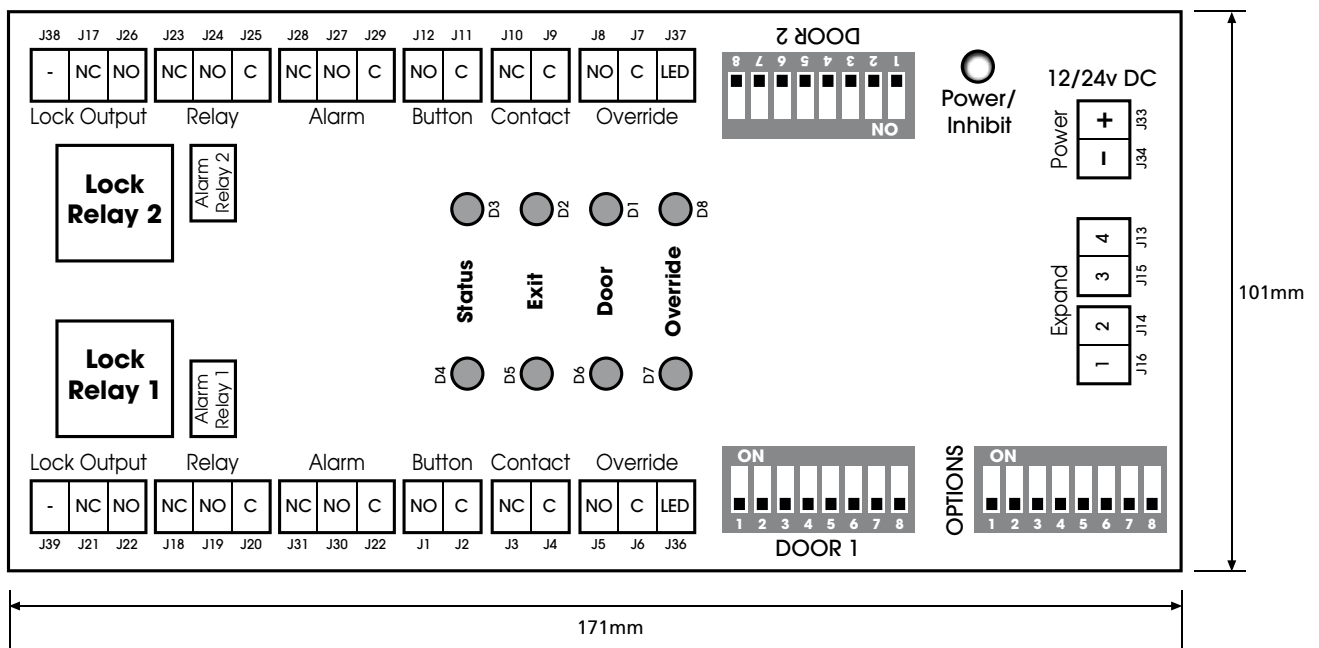
Ordering Information/Specifications

DESCRIPTION

Interlock Control Board
 Interlock Control Board Mounted in Metal 12v DC, 3 amp power supply
 Interlock Control Board Mounted in Metal 12v DC, 5 amp power supply
 Indicator Plate 12vDC - no legend
 19mm Vandal Resistant SSS Button 12vDC - no legend
 19mm Vandal Resistant Button & Led 12vDC – with legend

CODE

IEC-IB1
IEC-IB1PSU12V3AMP
IEC-IB1PSU12V5AMP
ALP0654-1NS
ALP0658-1-L-SNS
ALPIB1BUTTON/LEDV2



infrared proximity switch

PB86



The Alpro PB86 infrared proximity switch is designed to be used in conjunction with the full range of Alpro access control products. This proximity switch offers contactless features offering sterile and hygienic operation.

The simple swipe of the hand operates the switch, ensuring no contact is required. A feature especially important with MRSA and other infectious bacteria prevalent in hospitals and other communal areas.



Function

- Adjustable relay trigger from 1 to 9 seconds
- Easy indication of operation status
- Remote control door open with an infrared keypad (optional)
- Offers one touch point to operate when infrared is abnormal
- Proximity distance is adjustable from 15-27cms
- Suitable for indoor use only

Specification

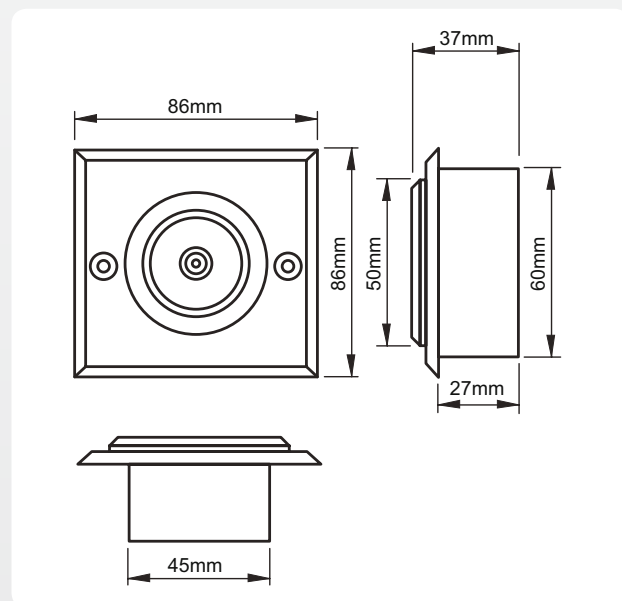
Dimensions: 86 (L) x 86 (W) x 37 (H) mm

Contact Rating: 0.5A 125vAC
2A 30vDC
0.3A 110vDC

Relay Life: Mechanical: 100,000,000 / Electrical: 500,000

Operation Temperature: -20°C ~ 55°C

LED indicator: Blue - Normal
Green - Active



Ordering Information/Specifications

DESCRIPTION

Infrared Proximity Switch - 12v
Remote Control Keypad Unit

CODE

ALP-PB86
ALP-RCKU

other products

Door Hardware

Alpro offer a complete range of aluminium door hardware offering excellent levels of security and quality.

The range includes:

- Europrofile Deadlocks
- Round Mortice Cylinder Deadlocks
- Europrofile Deadlatches
- Round Mortice Cylinder Deadlatches
- Lever & Paddle Handles
- Lock Accessories
- Flush Bolts
- Armoured Strikes
- Digital Locks
- Door Closers
- Magnets
- Panic Hardware



Door Handles

Alpro door handles are bold and modern in appearance and practical in everyday use.

- Aluminium, timber and glass door applications
- Made from stainless steel or aluminium with powder and nylon coated versions to RAL colours
- Wide range of styles and finishes
- Many sizes available from stock or within a few days



Our difference...



We are a family owned company founded in 1938 to supply quality mechanical components. Today we serve a broad band of industry with a wide range of quality products.

These are manufactured by companies of international repute who are each specialists in their own field.

We are approved to BS EN ISO 9001:2008.

We aim to provide the best in both products and service

- Experienced informative staff give fast, effective and friendly service.
- Technical support nationwide.
- Competitive and cost effective solutions.
- CAD design facility.
- Large stocks - same day despatch - Kanban and JIT deliveries.
- Modern technology combined with people.
- Listen, communicate - no surprises!
- Think long term - everlasting customers.



alpro®... *the team that cares*

Integrity • Expertise • Commitment

IEC Limited, Harwell Road, Nuffield Estate, Poole, Dorset BH17 0BD Great Britain

Registered in England 1925537

2/2017



T 01202 676262
F 01202 680101
E info@alpro.co.uk
W www.alpro.co.uk