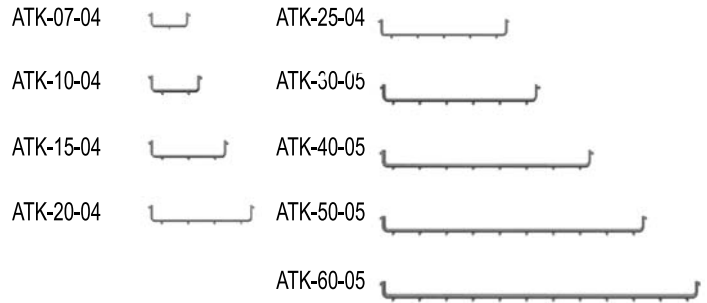
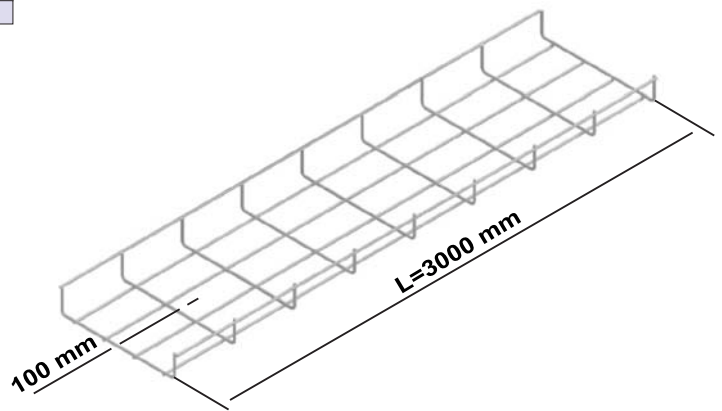
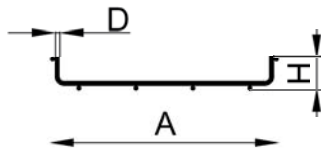


Wiremesh cable trays (H:35)

ORDER CODE	H mm	A mm	ØD mm	WEIGHT (kg/m) (H. D. G.)	WEIGHT (kg/m) (E.G.)
ATK-07-04	35	70	4	0.554	0,526
ATK-10-04	35	100	4	0.617	0,585
ATK-15-04	35	150	4	0.777	0,737
ATK-20-04	35	200	4	0.936	0,888
ATK-25-04	35	250	4	1.096	1,040
ATK-30-04	35	300	4	1.256	1,191
ATK-30-05	35	300	5	1.764	1,683
ATK-40-04	35	400	4	1.575	1,494
ATK-40-05	35	400	5	2.212	2,111
ATK-50-04	35	500	4	1.895	1,798
ATK-50-05	35	500	5	2.661	2,539
ATK-60-04	35	600	4	2.214	2,101
ATK-60-05	35	600	5	3.109	2,967

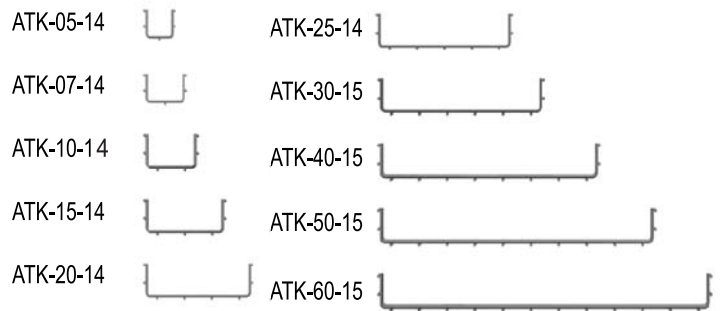


NOTE:
-Standard produce length is 3000mm.
-The weights shown the table are calculated on hot-dip galvanized bases.

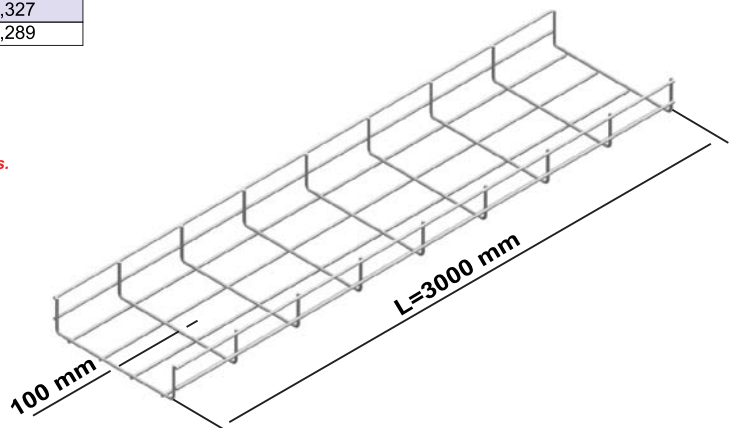
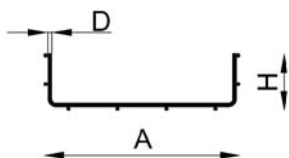


Wiremesh cable trays (H:50)

ORDER CODE	H mm	A mm	ØD mm	WEIGHT (kg/m) (H. D. G.)	WEIGHT (kg/m) (E.G.)
ATK-05-14	50	50	4	0.682	0,647
ATK-07-14	50	70	4	0.708	0,669
ATK-10-14	50	100	4	0.841	0,798
ATK-15-14	50	150	4	1.002	0,951
ATK-20-14	50	200	4	1.165	1,106
ATK-25-14	50	250	4	1.319	1,251
ATK-30-14	50	300	4	1.488	1,412
ATK-30-15	50	300	5	2.091	1,996
ATK-40-14	50	400	4	1.810	1,717
ATK-40-15	50	400	5	2.543	2,427
ATK-50-14	50	500	4	2.131	2,022
ATK-50-15	50	500	5	2.994	2,858
ATK-60-14	50	600	4	2.453	2,327
ATK-60-15	50	600	5	3.446	3,289



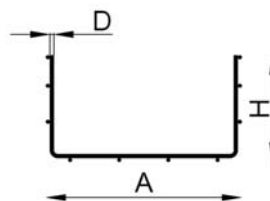
NOTE:
-Standard produce length is 3000mm.
-The weights shown the table are calculated on hot-dip galvanized bases.



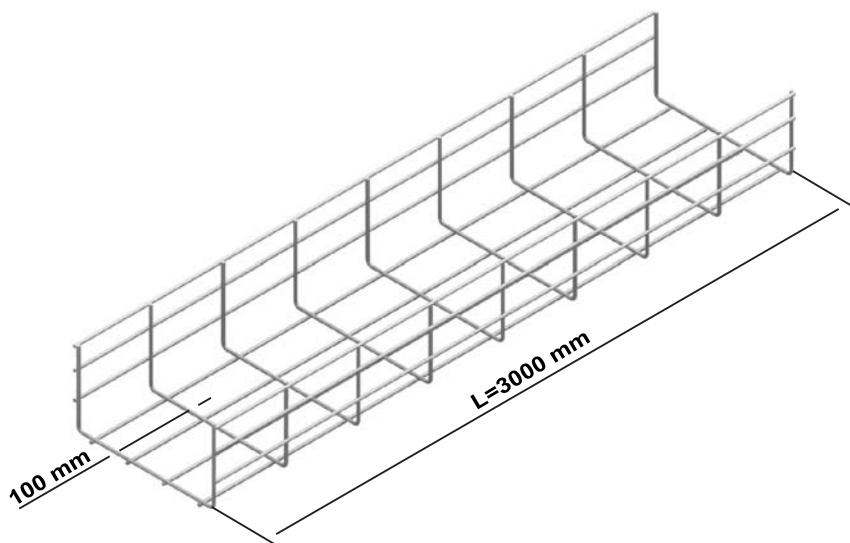
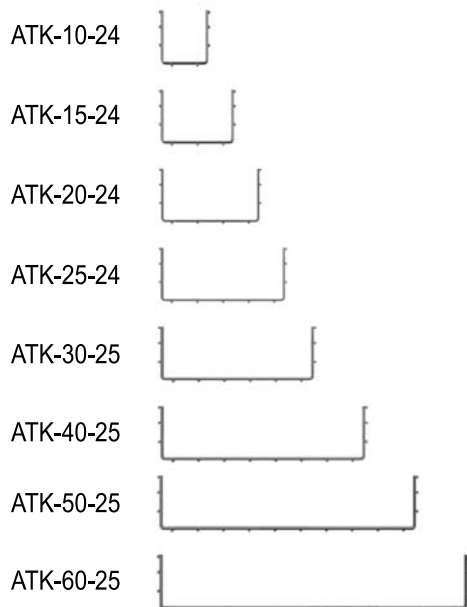


Wiremesh cable trays (H:100)

ORDER CODE	H mm	A mm	ØD mm	WEIGHT (kg/m) (H. D. G.)	WEIGHT (kg/m) (E.G.)
ATK-10-24	100	100	4	1.165	1,106
ATK-15-24	100	150	4	1.319	1,251
ATK-20-24	100	200	4	1.488	1,412
ATK-25-24	100	250	4	1.649	1,564
ATK-30-24	100	300	4	1.810	1,717
ATK-30-25	100	300	5	2.543	2,427
ATK-40-24	100	400	4	2.131	2,022
ATK-40-25	100	400	5	2.994	2,858
ATK-50-24	100	500	4	2.453	2,327
ATK-50-25	100	500	5	3.446	3,289
ATK-60-24	100	600	4	2.776	2,634
ATK-60-25	100	600	5	3.900	3,723

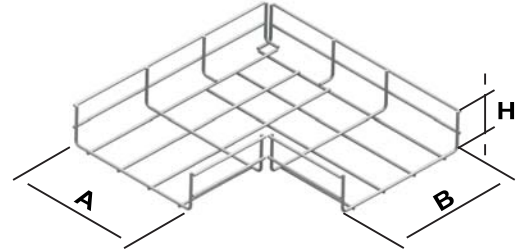


NOTE:
Standard produce length 3000 mm.

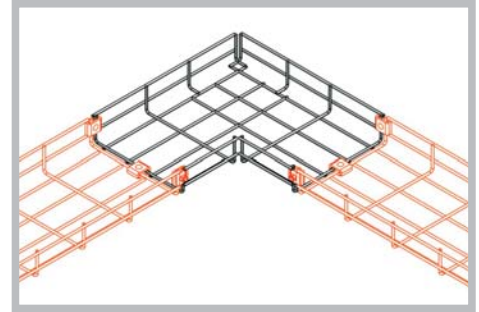


Horizontal bends 90 degree (H:50)

ORDER CODE	H mm	A mm	ØD mm	WEIGHT (kg/pcs) (H. D. G.)	WEIGHT (kg/pcs) (E.G.)
ATK-D10-14	50	100	4	0.323	0,307
ATK-D20-14	50	200	4	0.614	0,583
ATK-D30-14	50	300	4	0.988	0,937
ATK-D30-15	50	300	5	1.525	1,462
ATK-D40-14	50	400	4	1.445	1,371
ATK-D40-15	50	400	5	2.231	2,138
ATK-D50-14	50	500	4	1.985	1,883
ATK-D50-15	50	500	5	3.065	2,938
ATK-D60-14	50	600	4	2.610	2,476
ATK-D60-15	50	600	5	4.029	3,862



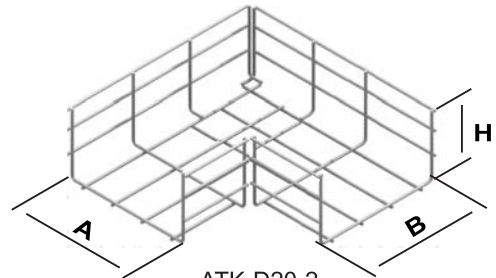
ATK-D20-1



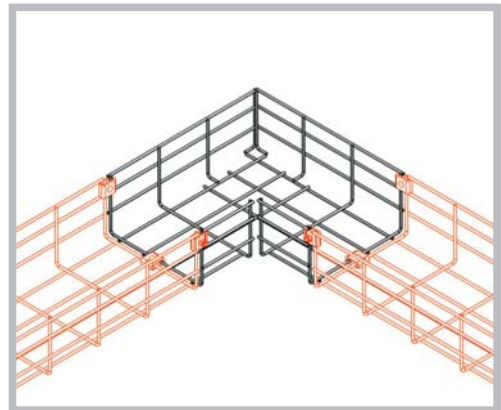
ATK-D20-1 Connection Example

Horizontal bends 90 degree (H:100)

ORDER CODE	H mm	A mm	ØD mm	WEIGHT (kg/pcs) (H. D. G.)	WEIGHT (kg/pcs) (E.G.)
ATK-D10-24	100	100	4	0.447	0,424
ATK-D20-24	100	200	4	0.769	0,729
ATK-D30-24	100	300	4	1.173	1,113
ATK-D30-25	100	300	5	1.811	1,735
ATK-D40-24	100	400	4	1.661	1,576
ATK-D40-25	100	400	5	2.565	2,458
ATK-D50-24	100	500	4	2.233	2,119
ATK-D50-25	100	500	5	3.448	3,304
ATK-D60-24	100	600	4	2.891	2,742
ATK-D60-25	100	600	5	4.463	4,277



ATK-D20-2

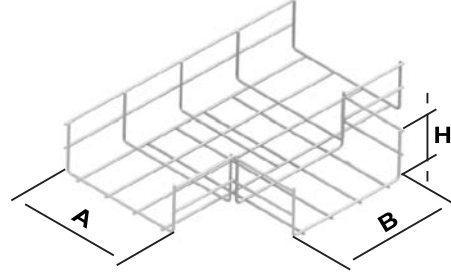


ATK-D20-2 Connection Example

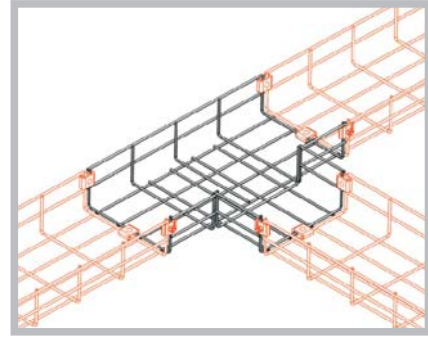


Horizontal tees (H:50)

ORDER CODE	H mm	A mm	ØD mm	WEIGHT (kg/pcs) (H. D. G.)	WEIGHT (kg/pcs) (E. G.)
ATK-T10-14	50	100	4	0.373	0,354
ATK-T20-14	50	200	4	0.656	0,622
ATK-T30-14	50	300	4	1.023	0,970
ATK-T30-15	50	300	5	1.579	1,513
ATK-T40-14	50	400	4	1.472	1,396
ATK-T40-15	50	400	5	2.273	2,178
ATK-T50-14	50	500	4	2.005	1,902
ATK-T50-15	50	500	5	3.096	2,967
ATK-T60-14	50	600	4	2.623	2,488
ATK-T60-15	50	600	5	4.049	3,880



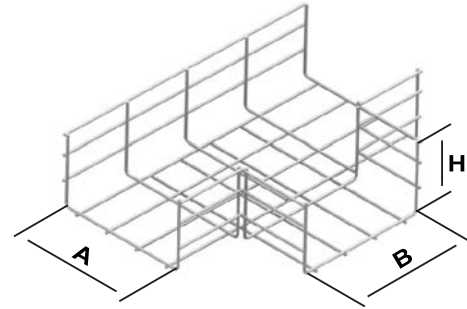
ATK-T100-14



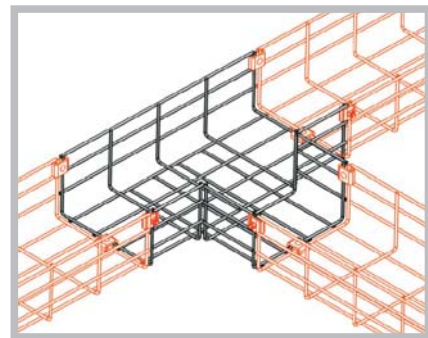
ATK-T100-14 Connection Example

Horizontal tees (H:100)

ORDER CODE	H mm	A mm	ØD mm	WEIGHT (kg/pcs) (H. D. G.)	WEIGHT (kg/pcs) (E. G.)
ATK-T10-24	100	100	4	0.512	0,486
ATK-T20-24	100	200	4	0.811	0,769
ATK-T30-24	100	300	4	1.192	1,131
ATK-T30-25	100	300	5	1.840	1,763
ATK-T40-24	100	400	4	1.657	1,572
ATK-T40-25	100	400	5	2.558	2,452
ATK-T50-24	100	500	4	2.206	2,093
ATK-T50-25	100	500	5	3.406	3,264
ATK-T60-24	100	600	4	2.840	2,694
ATK-T60-25	100	600	5	4.385	4,202



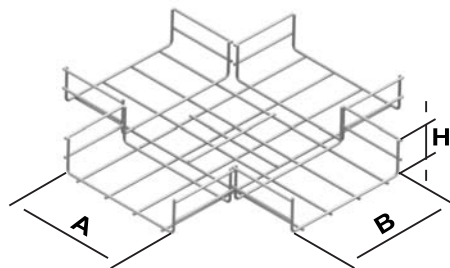
ATK-T20-24



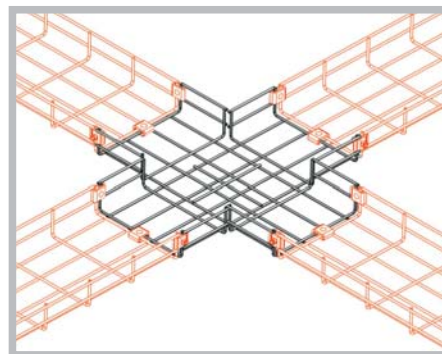
ATK-T20-24 Connection Example

Quadruple horizontal crossing (H:50)

ORDER CODE	H mm	A mm	ØD mm	WEIGHT (kg/pcs) (H. D. G.)	WEIGHT (kg/pcs) (E.G.)
ATK-C10-14	50	100	4	0.455	0,432
ATK-C20-14	50	200	4	0.753	0,714
ATK-C30-14	50	300	4	1.134	1,076
ATK-C30-15	50	300	5	1.751	1,678
ATK-C40-14	50	400	4	1.598	1,515
ATK-C40-15	50	400	5	2.466	2,364
ATK-C50-14	50	500	4	2.145	2,035
ATK-C50-15	50	500	5	3.311	3,173
ATK-C60-14	50	600	4	2.776	2,634
ATK-C60-15	50	600	5	4.286	4,108



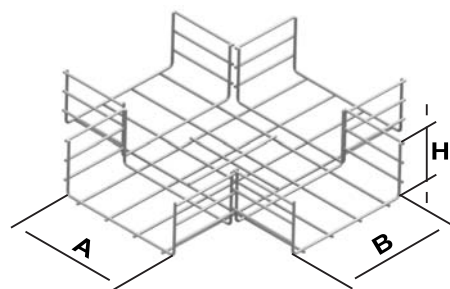
ATK-C10-14



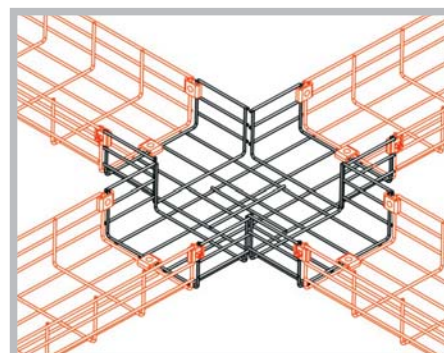
ATK-C10-14 Connection Example

Quadruple horizontal crossing (H:100)

ORDER CODE	H mm	A mm	ØD mm	WEIGHT (kg/pcs) (H. D. G.)	WEIGHT (kg/pcs) (E.G.)
ATK-C10-24	100	100	4	0.627	0,595
ATK-C20-24	100	200	4	0.924	0,877
ATK-C30-24	100	300	4	1.304	1,237
ATK-C30-25	100	300	5	2.013	1,929
ATK-C40-24	100	400	4	1.767	1,676
ATK-C40-25	100	400	5	2.728	2,615
ATK-C50-24	100	500	4	2.315	2,196
ATK-C50-25	100	500	5	3.573	3,424
ATK-C60-24	100	600	4	2.948	2,796
ATK-C60-25	100	600	5	4.550	4,361



ATK-C10-24

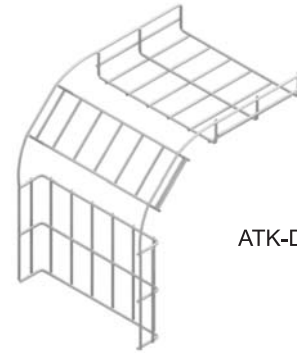
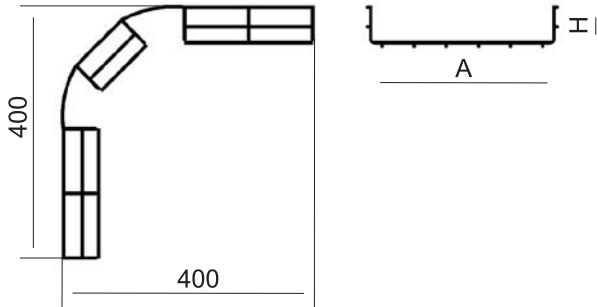


ATK-C10-24 Connection Example

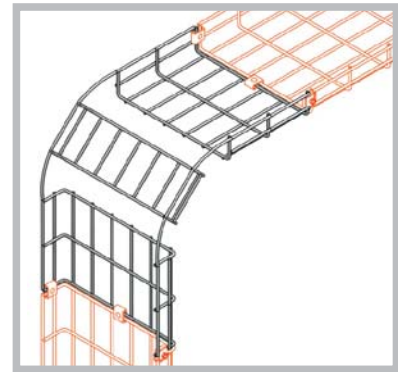


Outside bends (H:50)

ORDER CODE	H mm	A mm	ØD mm	WEIGHT (kg/pcs) (H. D. G.)	WEIGHT (kg/pcs) (E.G.)
ATK-DB05-14	50	50	4	0.407	0.406
ATK-DB07-14	50	70	4	0.424	0.423
ATK-DB10-14	50	100	4	0.497	0.497
ATK-DB15-14	50	150	4	0.590	0.589
ATK-DB20-14	50	200	4	0.683	0.683
ATK-DB25-14	50	250	4	0.770	0.769
ATK-DB30-15	50	300	5	1.228	1,228
ATK-DB40-15	50	400	5	1.488	1,487
ATK-DB50-15	50	500	5	1.748	1,747
ATK-DB60-15	50	600	5	2.008	2,007



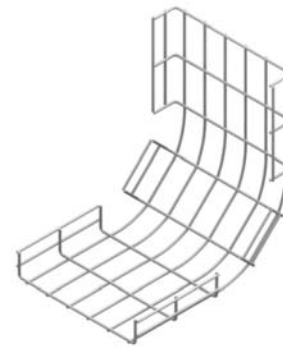
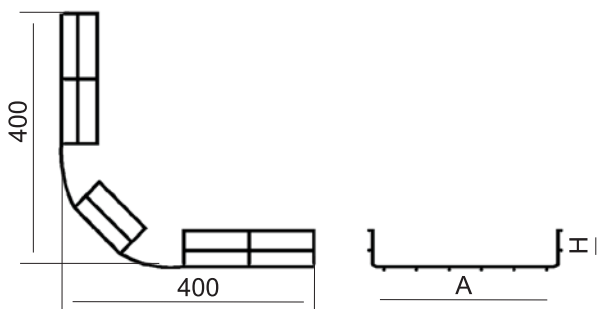
ATK-DB30-15



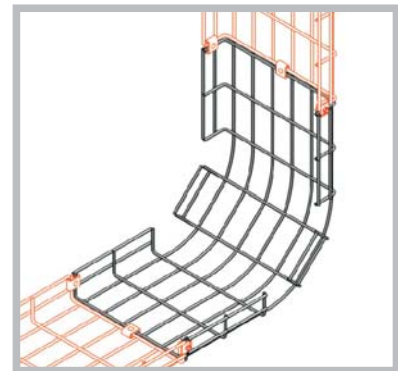
ATK-DB30-15 Connection Example

Inside bends (H:50)

ORDER CODE	H mm	A mm	ØD mm	WEIGHT (kg/pcs) (H. D. G.)	WEIGHT (kg/pcs) (E.G.)
ATK-IB05-14	50	50	4	0.389	0,389
ATK-IB07-14	50	70	4	0.406	0,405
ATK-IB10-14	50	100	4	0.497	0,497
ATK-IB15-14	50	150	4	0.608	0,607
ATK-IB20-14	50	200	4	0.719	0,718
ATK-IB25-14	50	250	4	0.823	0,823
ATK-IB30-15	50	300	5	1.329	1,328
ATK-IB40-15	50	400	5	1.639	1,639
ATK-IB50-15	50	500	5	1.950	1,949
ATK-IB60-15	50	600	5	2.260	2,259



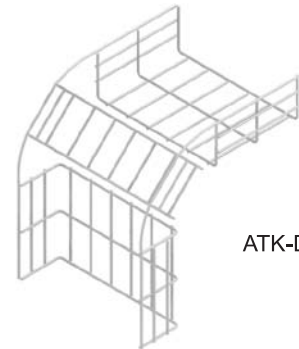
ATK-IB30-15



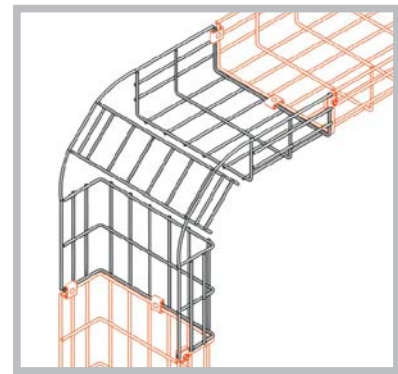
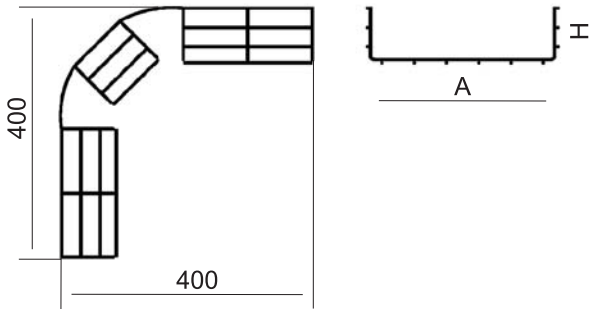
ATK-IB30-15 Connection Example

Outside bends (H:100)

ORDER CODE	H mm	A mm	ØD mm	WEIGHT (kg/pcs) (H. D. G.)	WEIGHT (kg/pcs) (E. G.)
ATK-DB10-24	100	100	4	0.683	0,683
ATK-DB15-24	100	150	4	0.770	0,769
ATK-DB20-24	100	200	4	0.868	0,867
ATK-DB25-24	100	250	4	0.960	0,959
ATK-DB30-25	100	300	5	1.488	1,487
ATK-DB40-25	100	400	5	1.748	1,747
ATK-DB50-25	100	500	5	2.008	2,007
ATK-DB60-25	100	600	5	2.270	2,269



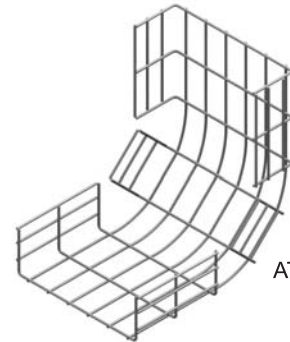
ATK-DB30-25



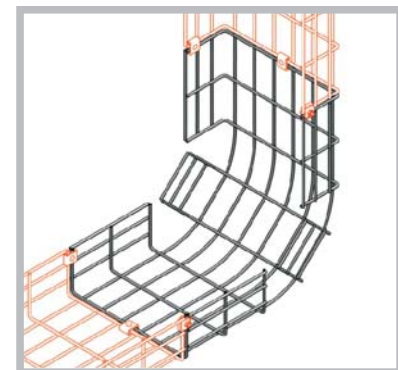
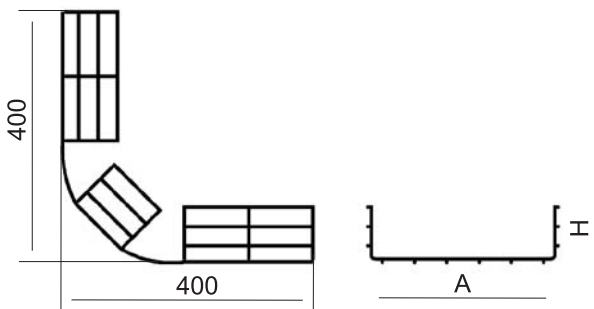
ATK-DB30-25 Connection Example

Inside bends (H:100)

ORDER CODE	H mm	A mm	ØD mm	WEIGHT (kg/pcs) (H. D. G.)	WEIGHT (kg/pcs) (E. G.)
ATK-IB10-24	100	100	4	0.683	0,683
ATK-IB15-24	100	150	4	0.787	0,787
ATK-IB20-24	100	200	4	0.904	0,903
ATK-IB25-24	100	250	4	1.013	1,013
ATK-IB30-25	100	300	5	1.589	1,588
ATK-IB40-25	100	400	5	1.899	1,899
ATK-IB50-25	100	500	5	2.210	2,209
ATK-IB60-25	100	600	5	2.522	2,521



ATK-IB30-25

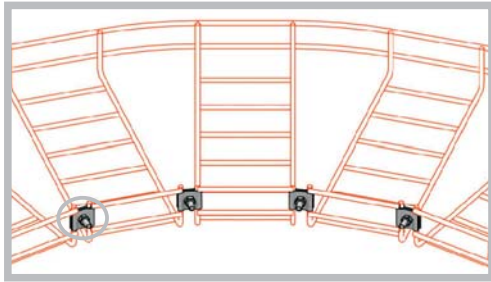


ATK-IB30-25 Connection Example



Couplers

ORDER CODE	T mm	WEIGHT (kg/pcs) (H. D. G.)	WEIGHT (kg/pcs) (E.G.)
ATK-1-1	2	0,022	0,021
ATK-1-2	2	0,021	0,019

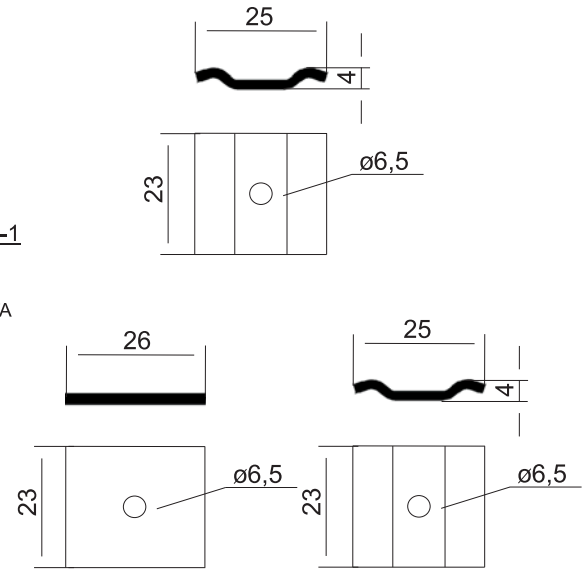


ATK-1-1 Connection Example



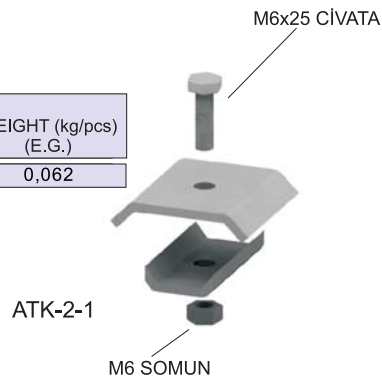
ATK-1-1

ATK-1-2



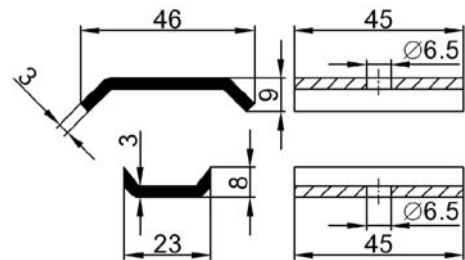
Couplers

ORDER CODE	T mm	WEIGHT (kg/pcs) (H. D. G.)	WEIGHT (kg/pcs) (E.G.)
ATK-2-1	3	0,065	0,062

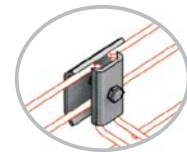
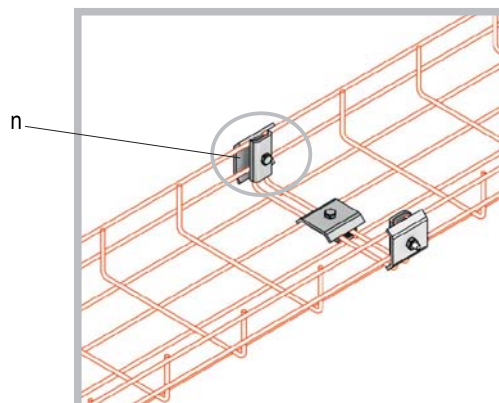


ATK-2-1

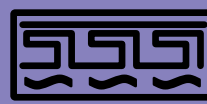
M6 SOMUN



WIDTH (mm)	n
A 50	2
A 70	2
A 100	2
A 150	2
A 200	2+1
A 250	2+1
A 300	2+2
A 400	2+2
A 500	2+2
A 600	2+2

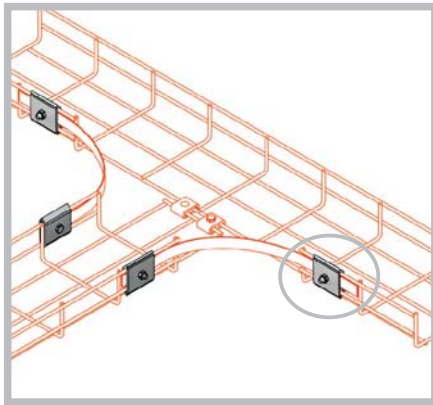
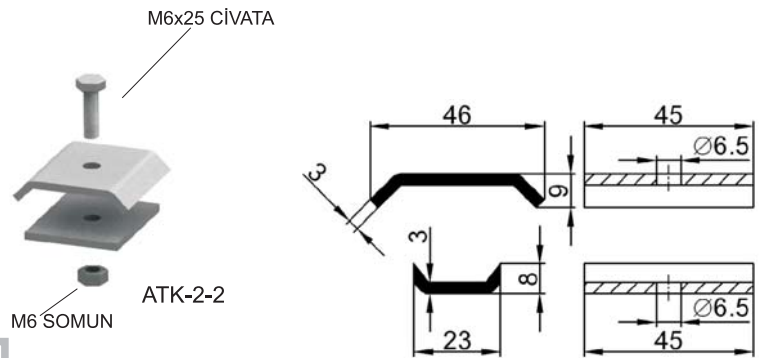


ATK-2-1 Connection Example



Couplers

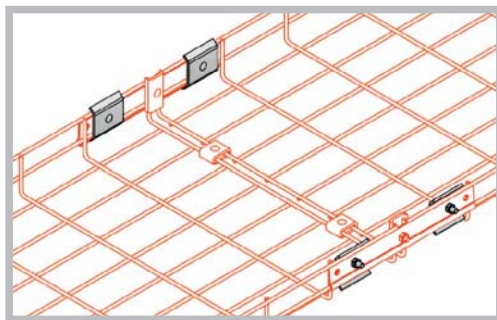
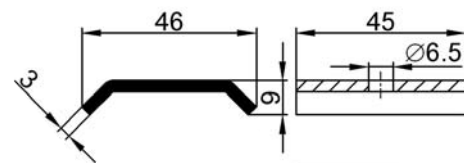
ORDER CODE	T mm	WEIGHT (kg/pcs) (H. D. G.)	WEIGHT (kg/pcs) (E.G.)
ATK-2-2	3	0.078	0.074



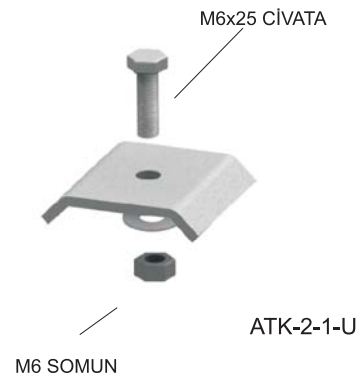
ATK-2-2 Connection Example

Couplers

ORDER CODE	T mm	WEIGHT (kg/pcs) (H. D. G.)	WEIGHT (kg/pcs) (E.G.)
ATK-2-1-U	3	0.081	0.077



ATK-2-2 Connection Example



ATK-2-1-U



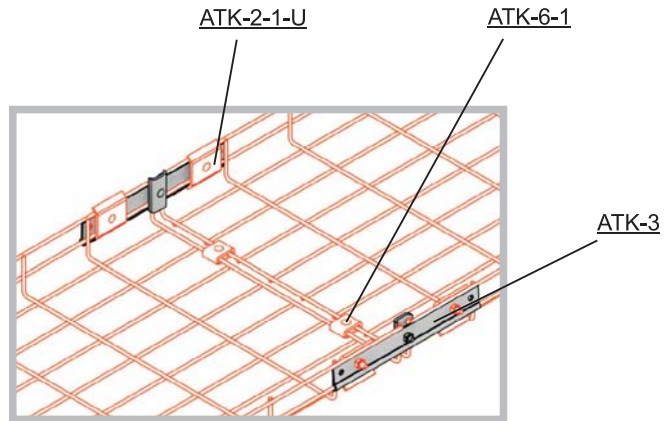
Couplers

ORDER CODE	WEIGHT (kg/pcs) (H. D. G.)	WEIGHT (kg/pcs) (E.G.)
ATK-3	0,158	0,150

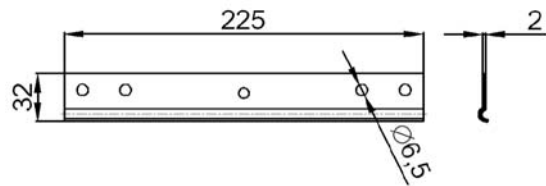
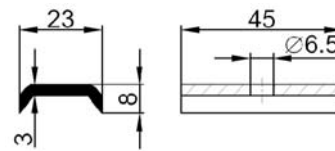


ATK-3

WIDTH (mm)	ATK-3	ATK-6-1	ATK-2-1-U
A 50	2	-	-
A 70	2	-	-
A 100	2	-	-
A 150	2	-	-
A 200	2	1	-
A 250	2	1	-
A 300	2	2	4
A 400	2	2	4
A 500	2	2	4
A 600	2	2	4

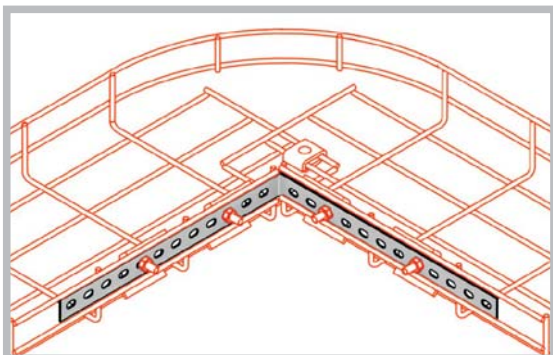
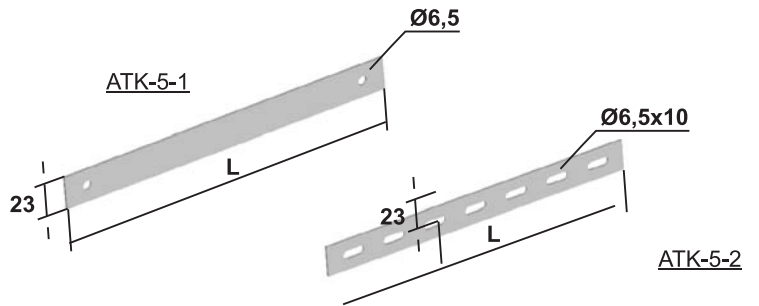


ATK-3 Connection Example

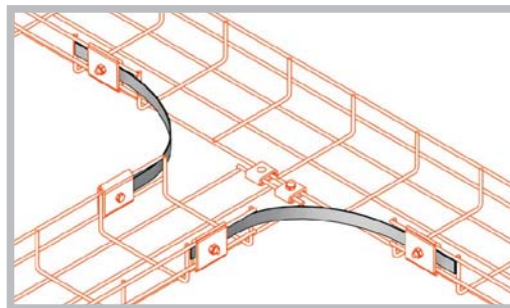


Couplers

ORDER CODE	L mm	T mm	WEIGHT (kg/pcs) (H. D. G.)	WEIGHT (kg/pcs) (E.G.)
ATK-5-1	370	1.2	0,239	0,228
ATK-5-2	-	1.2	0,213	0,205



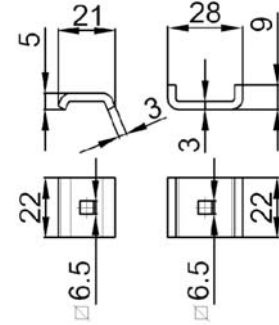
ATK-5-2 Connection Example



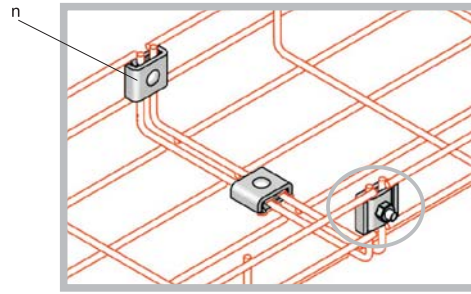
ATK-5-1 Connection Example

Couplers

ORDER CODE	T mm	WEIGHT (kg/pcs) (H. D. G.)	WEIGHT (kg/pcs) (E.G.)
ATK-6-1	3	0.039	0,037



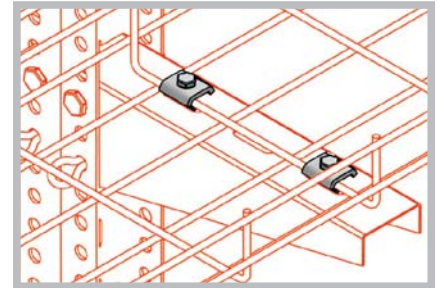
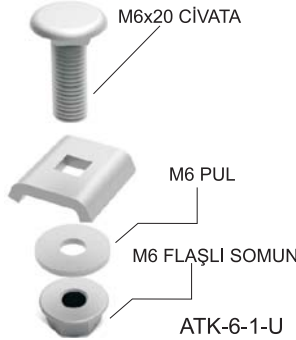
WIDTH (mm)	n
A 50	2
A 70	2
A 100	2
A 150	2
A 200	2+1
A 250	2+1
A 300	2+2
A 400	2+2
A 500	2+2
A 600	2+2



ATK-6-1 Connection Example

Couplers

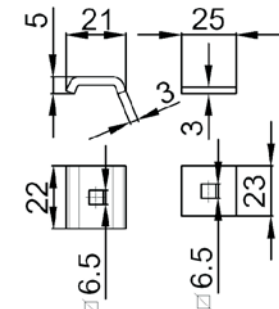
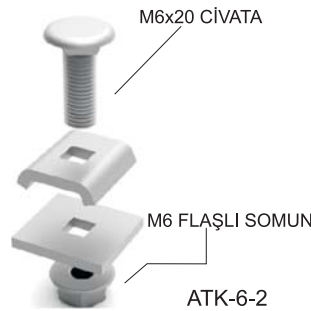
ORDER CODE	T mm	WEIGHT (kg/pcs) (H. D. G.)	WEIGHT (kg/pcs) (E.G.)
ATK-6-1-U	3	0.035	0,034



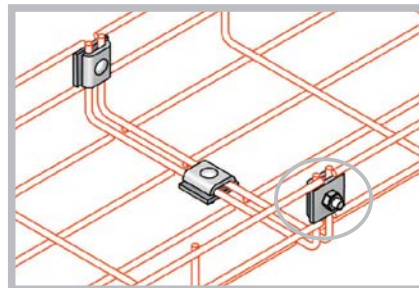
ATK-6-1-U Connection Example

Couplers

ORDER CODE	T mm	WEIGHT (kg/pcs) (H. D. G.)	WEIGHT (kg/pcs) (E.G.)
ATK-6-2	3	0.035	0,034



WIDTH (mm)	n
A 50	2
A 70	2
A 100	2
A 150	2
A 200	2+1
A 250	2+1

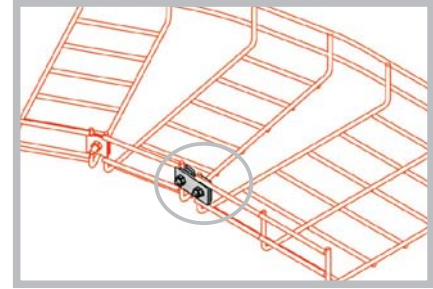
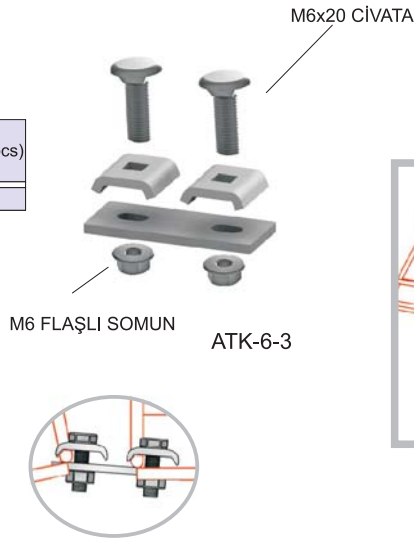
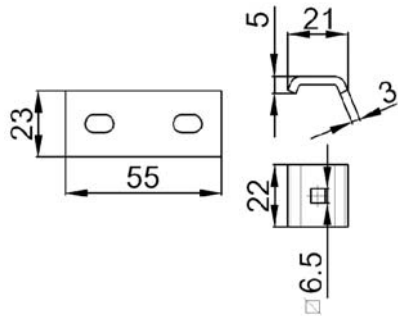


ATK-6-2 Connection Example



Couplers

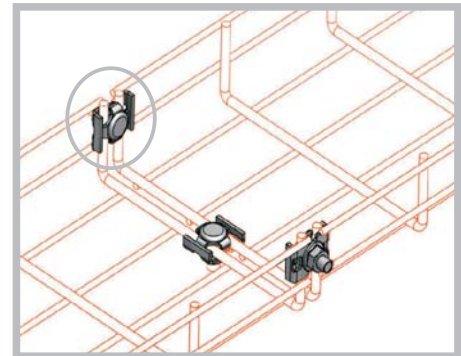
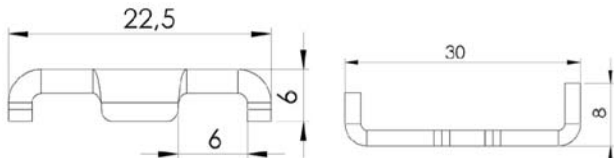
ORDER CODE	T mm	WEIGHT (kg/pcs) (H. D. G.)	WEIGHT (kg/pcs) (E.G.)
ATK-6-3	3	0,068	0,065



ATK-6-3 Connection Example

Couplers

ORDER CODE	T mm	WEIGHT (kg/pcs) (H. D. G.)	WEIGHT (kg/pcs) (E.G.)
ATK-7-1	3	0,37	0,34



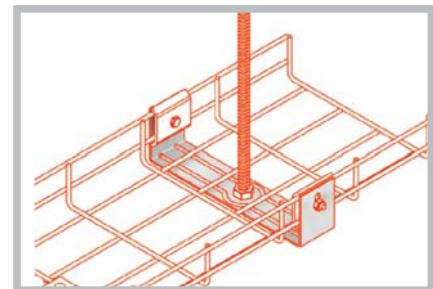
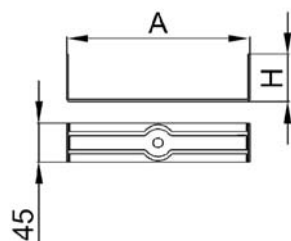
ATK-7-1 Connection Example

Tray carriers

ORDER CODE	H mm	A mm	T mm	WEIGHT (kg/pcs) (H. D. G.)	WEIGHT (kg/pcs) (E.G.)
ATK-T1-07-1	60	75	1.5	0,103	0,096
ATK-T1-10-1	60	105	1.5	0,121	0,112
ATK-T1-16-1	60	165	1.5	0,155	0,144
ATK-T1-20-1	60	205	2.0	0,232	0,220
ATK-T1-10-2	110	110	1.5	0,181	0,168
ATK-T1-16-2	110	165	1.5	0,213	0,198
ATK-T1-20-2	110	205	2.0	0,308	0,291



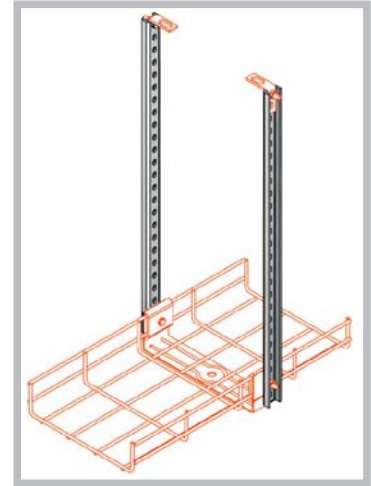
ATK-T1-20-1



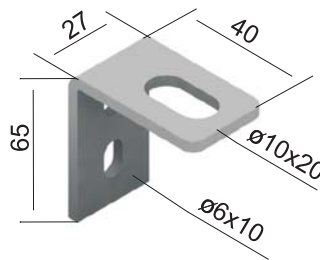
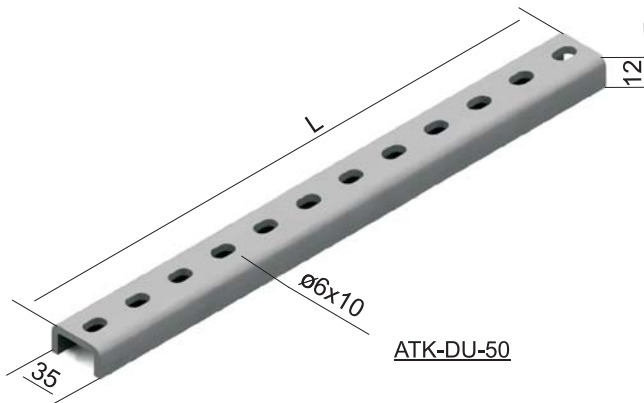
ATK-T1-20-1 Connection Example

U support systems

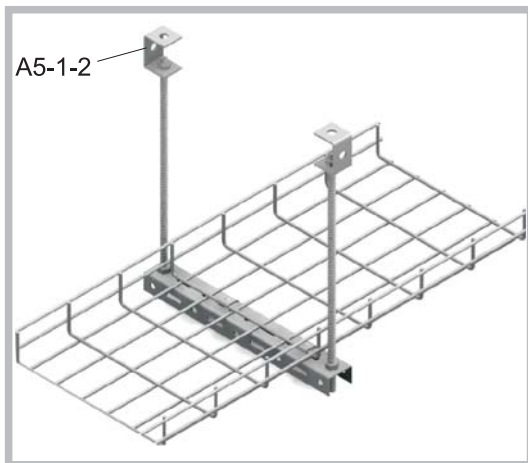
ORDER CODE	L mm	T mm	WEIGHT (kg/pcs) (H. D. G.)	WEIGHT (kg/pcs) (E. G.)
ATK-DU-20	200	3.0	0.237	0,228
ATK-DU-30	300	3.0	0.356	0,342
ATK-DU-40	400	3.0	0.474	0,456
ATK-DU-50	500	3.0	0.593	0,570
ATK-DU-70	700	3.0	0.830	0,798
ATK-DU-100	1000	3.0	1.185	1,139
A5-1-4	-	3.0	0.060	0,058



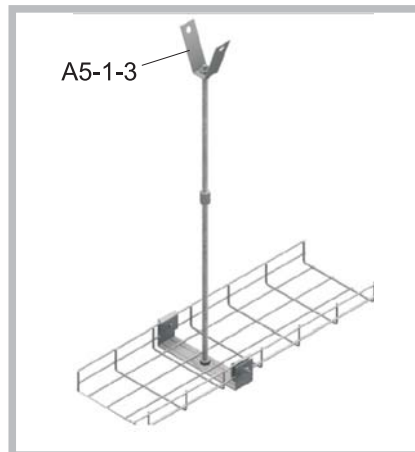
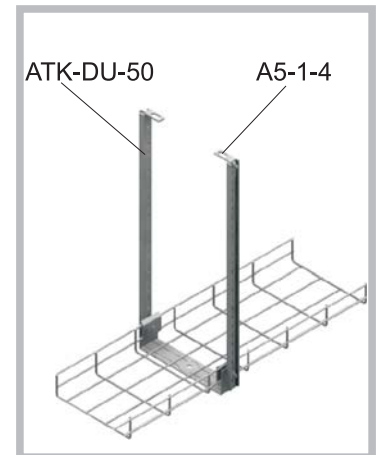
ATK-DU-50 Connection Example



Examples



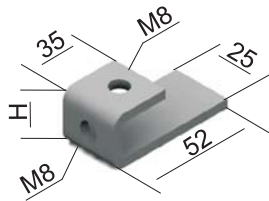
A5-1-4



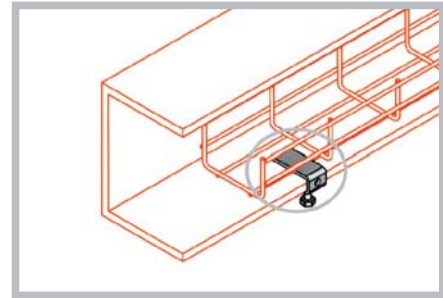
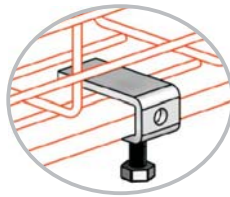


Tray carriers

ORDER CODE	H mm	T mm	WEIGHT (kg/pcs) (H. D. G.)	WEIGHT (kg/pcs) (E.G.)
ATK-T4	25	4.0	0.086	0.079



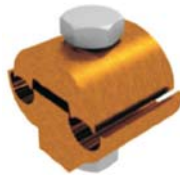
ATK-T4



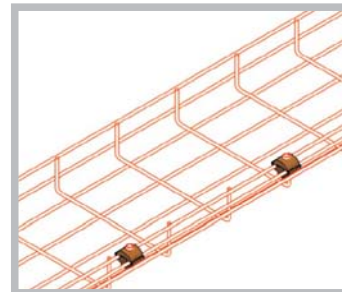
ATK-T4 Connection Example

Earthing part

ORDER CODE	WEIGHT (kg/pcs) (H. D. G.)
ATPK-1	0,048
ATPK-2	0,046



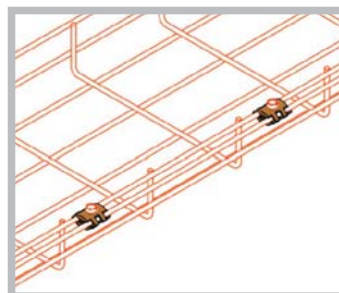
ATPK-1



ATPK-1 Connection Example

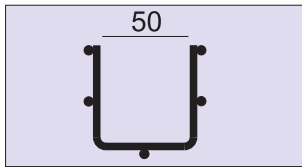


ATPK-2

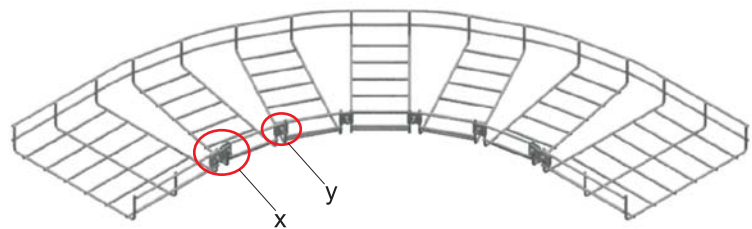
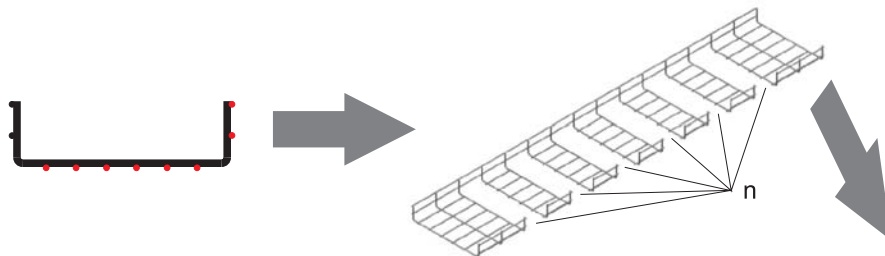
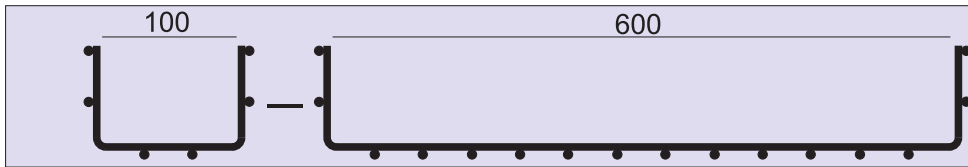
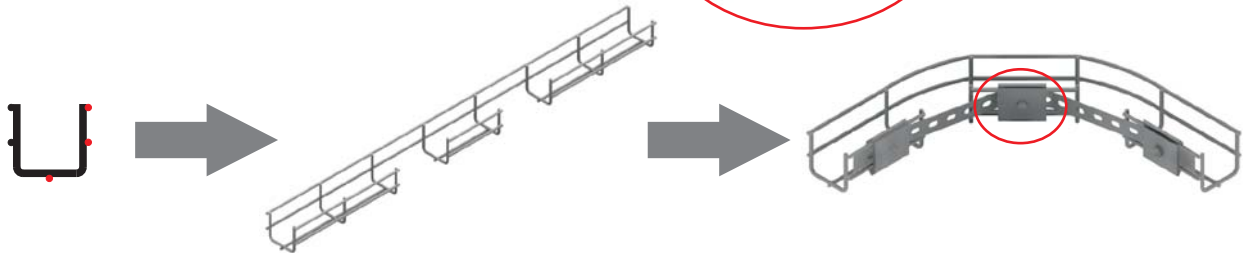


ATPK-2 Connection Example

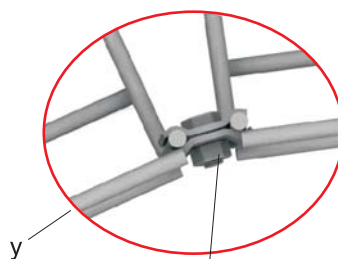
90 degrees bend



ATK-2-2



WIDTH (mm)	n	x	y
A 100	3	3	0
A 150	4	4	0
A 200	4	2	2
A 250	5	2	3
A 300	6	2	4
A 400	8	2	6
A 500	9	0	9
A 600	11	1	10



ATK-1-1

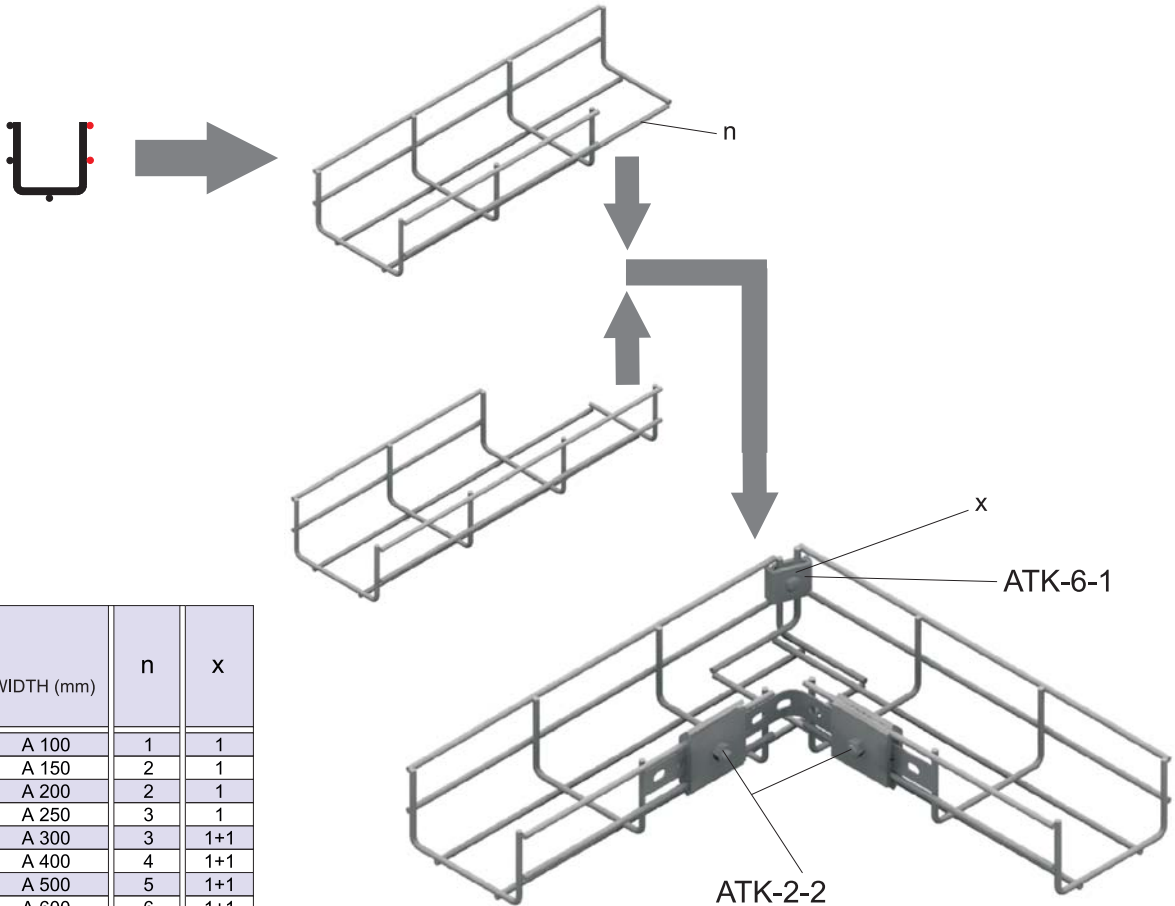
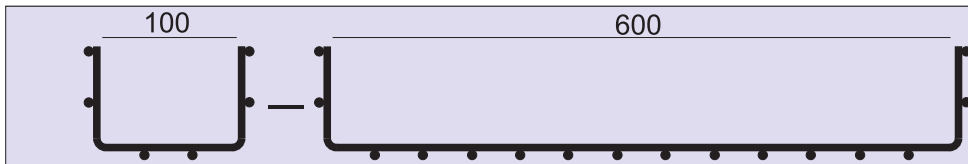
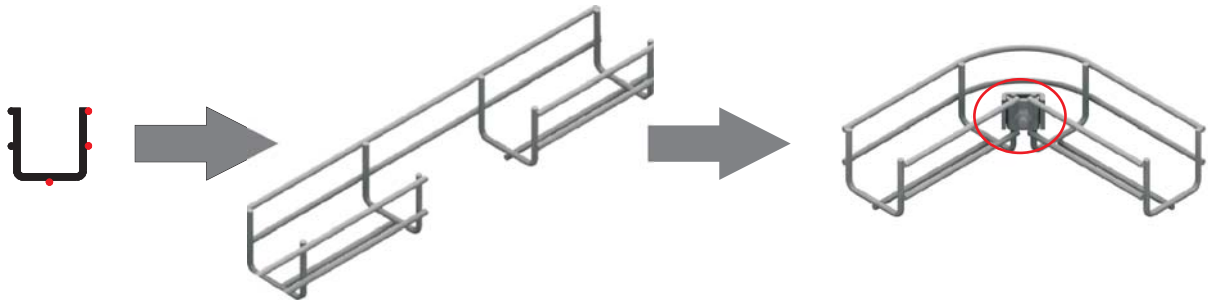
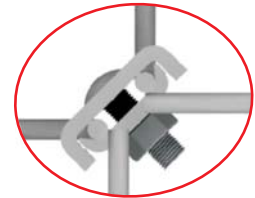
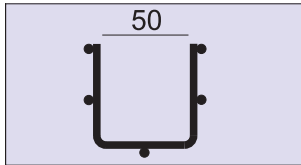


ATK-6-3



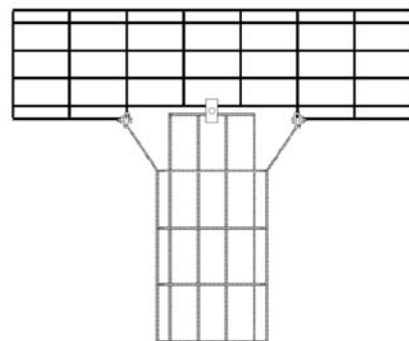
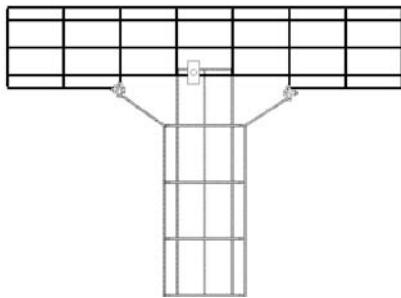
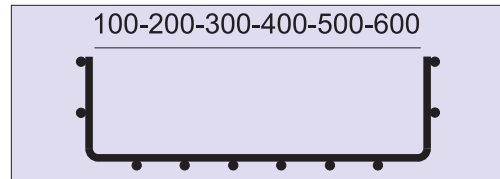
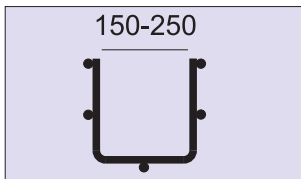
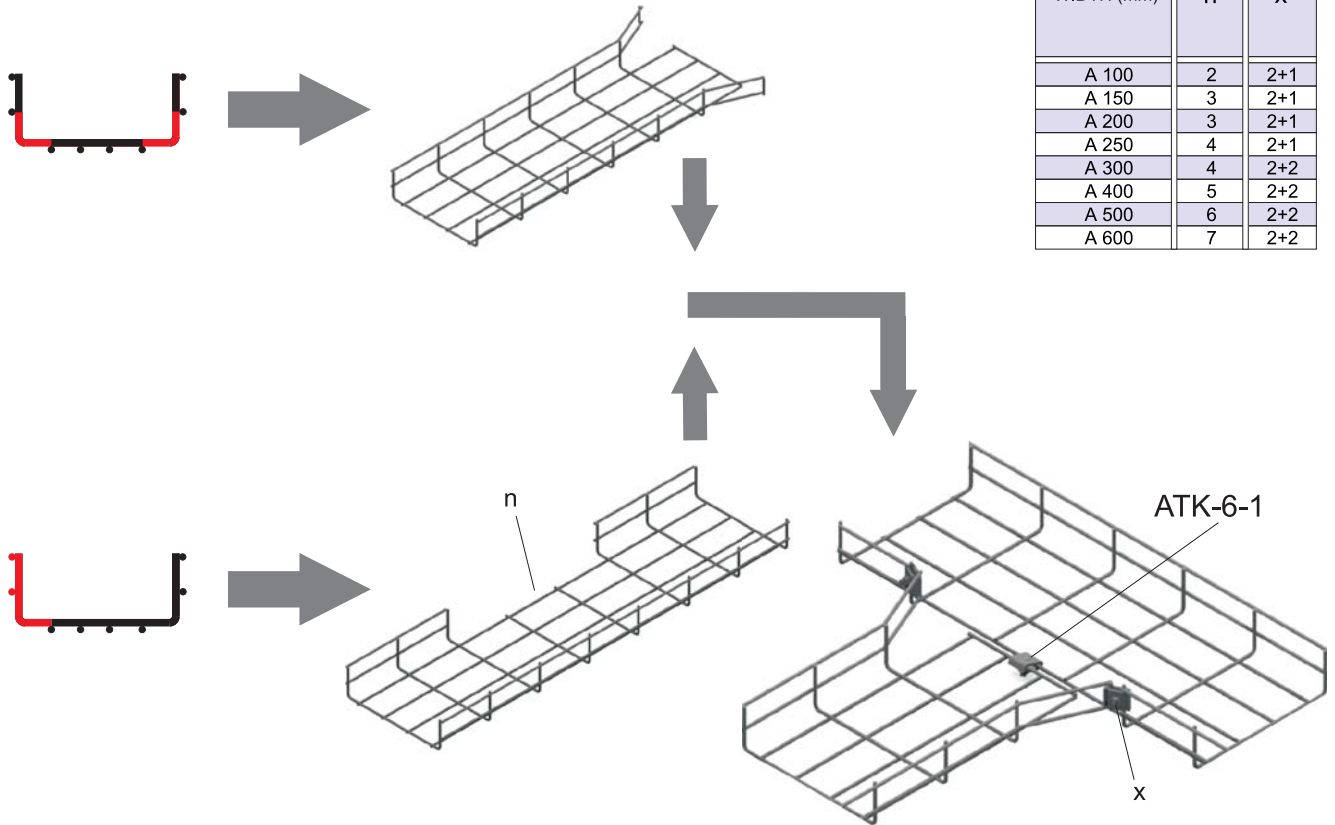
90 degrees bend

ATK-6-1



WIDTH (mm)	n	x
A 100	1	1
A 150	2	1
A 200	2	1
A 250	3	1
A 300	3	1+1
A 400	4	1+1
A 500	5	1+1
A 600	6	1+1

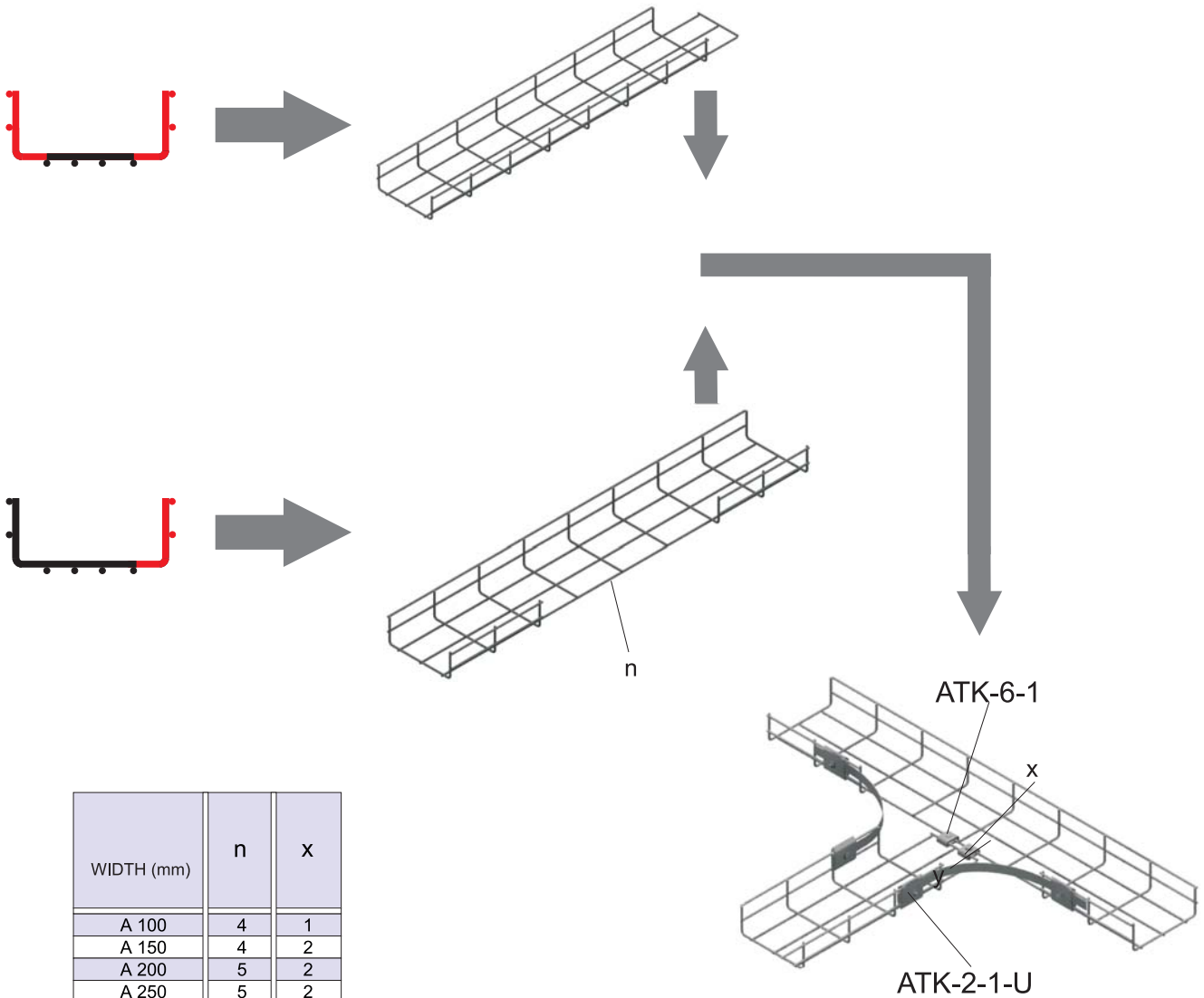
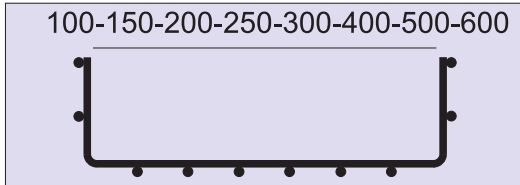
Tees





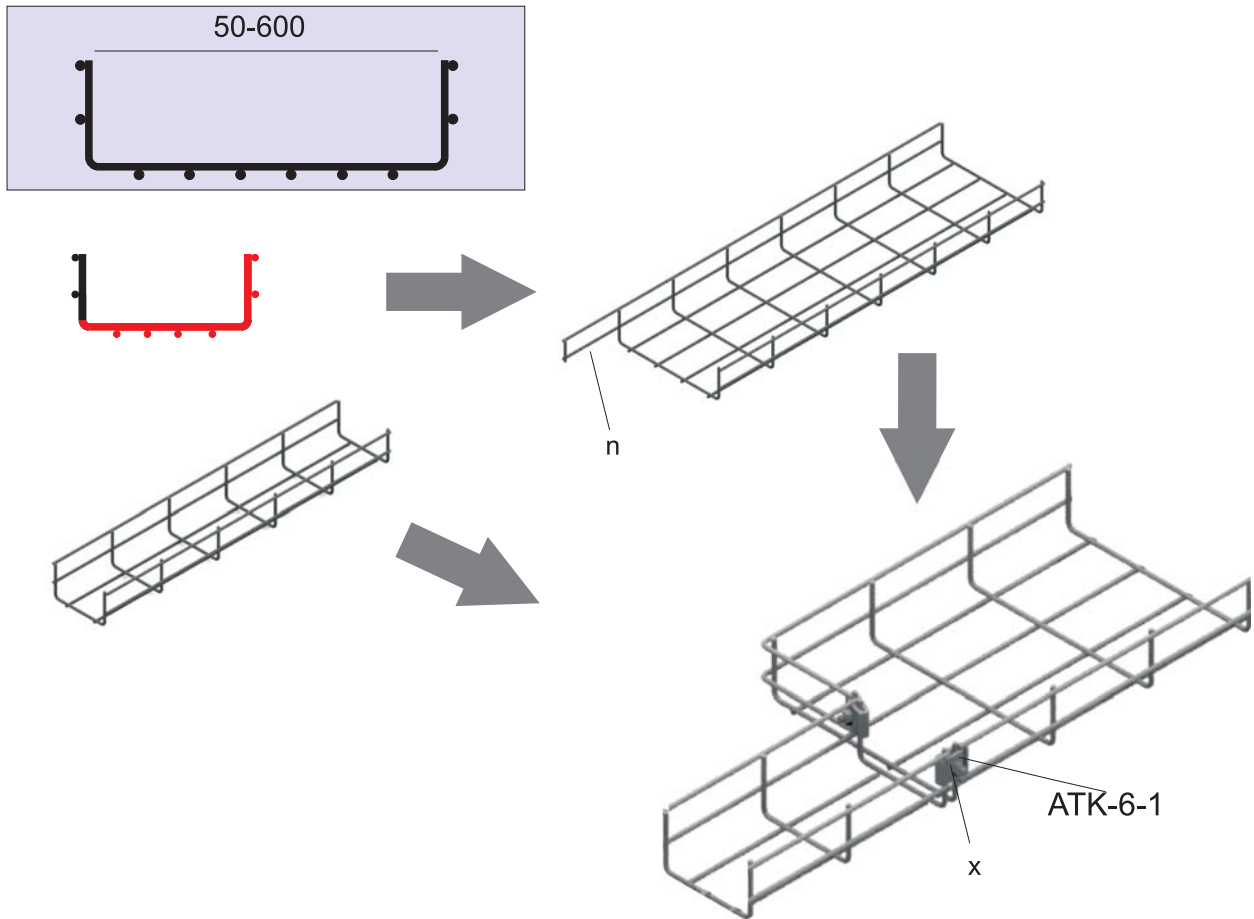
Tees

100-150-200-250-300-400-500-600



WIDTH (mm)	n	x
A 100	4	1
A 150	4	2
A 200	5	2
A 250	5	2
A 300	6	3
A 400	7	3
A 500	8	3
A 600	9	3

Reductions



		WIDTH (mm)				
		100	200	300	400	500
WIDTH (mm)	200	1 2
	300	2 2	1 2+1	.	.	.
	400	3 2	2 2+1	1 2+1	.	.
	500	4 2	3 2+1	2 2+1	1 2+2	.
	600	5 2	4 2+1	3 2+1	2 2+2	1 2+2

		WIDTH(mm)	
		50	150
WIDTH(mm)	150	1 2	.
	250	2 2	1 2